

## Powercaster® Transmitter

The TX91501 Powercaster Transmitter is the RF-based wireless power source for Powercast's WSN-10XX Lifetime Power Wireless Sensors and other devices. The TX91501 sends radio waves that are converted into power remotely with Powerharvester® Receivers.

The TX91501 is housed in a durable plastic case with several mounting options. Operational power is provided to either of the two DC power connectors at 5V DC.

The TX91501 includes a status LED to provide feedback on functional state and has a factory set, fixed power output. No user configuration is required.

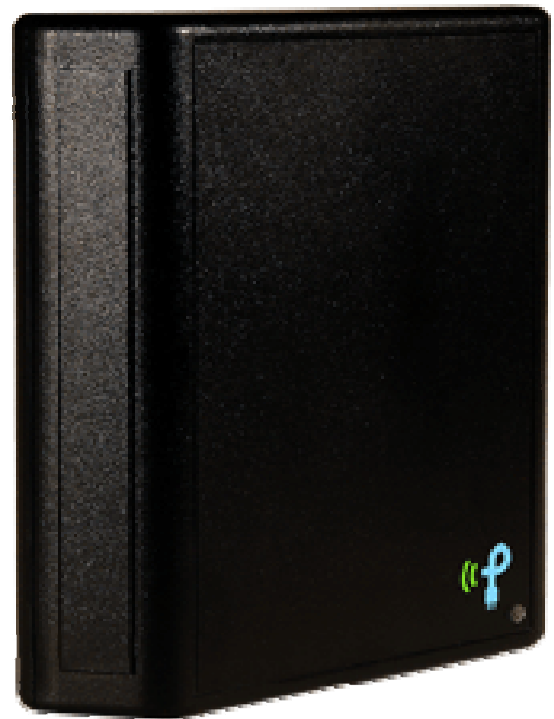
### KEY FEATURES

- RF-based wireless power source
- Integrated antenna
- Flexible mounting configurations
- LED status indicator
- 5VDC power

### BENEFITS

- Powers multiple devices
- Enables location-aware applications
- No configuration, simple deployment
- Maintenance-free operation
- No interference with or from Wi-Fi

- ***Plug-n-play wireless power***
- ***One-to-many powering***
- ***No configuration***

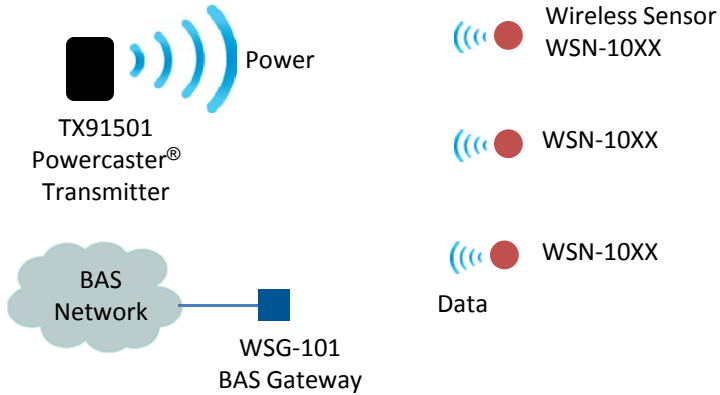




POWERCAST®

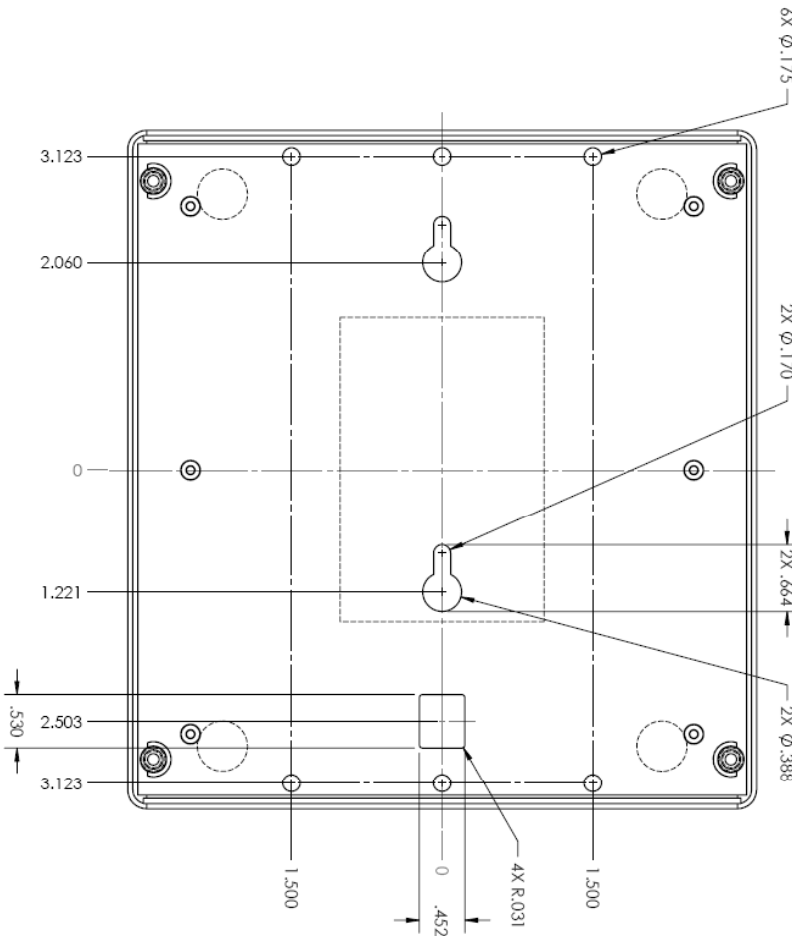
# TX91501 - Product Datasheet

## Building Automation System Gateway



### SPECIFICATIONS

Frequency	915MHz center frequency
Modulation	Power: DSSS Data: ASK
Power Output	TX91501-3W-XX: 3 watts EIRP TX91501-1W-XX: 1 watt EIRP
Approvals	FCC Part 15.247 Industry Canada
Antenna	8dBi internal, 60° pattern
Power Input	5VDC (2 jacks available), AC/DC adapter included
Enclosure	ABS plastic, black
Mounting	6 bracket mounting holes, 2 keyholes
Dimensions	6.75" x 6.25" x 1.63" (171.45 x 158.75 x 41.4 mm)
Environment	-20°C to 50°C, indoor use only
Weight	1 lb.



### ORDERING INFORMATION

Power Level	Part Number
3W	TX91501-3W-ID
1W	TX91501-1W-ID