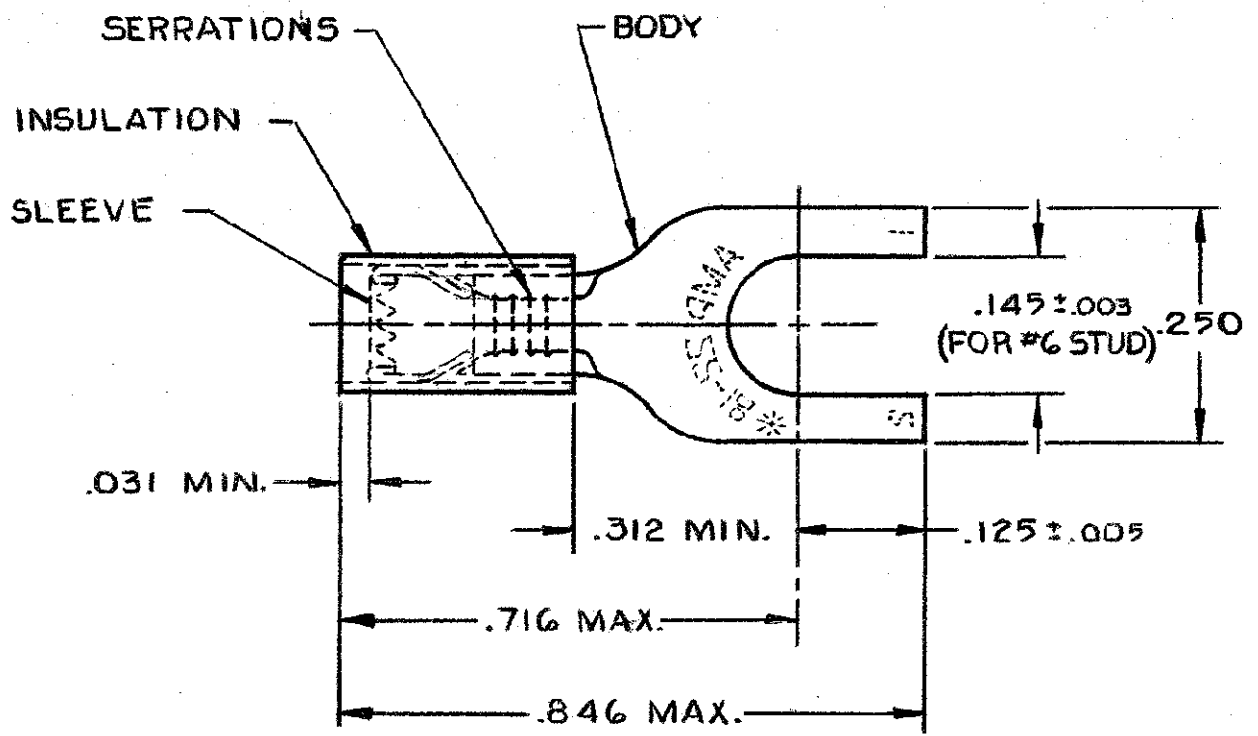


THIS DRAWING IS UNPUBLISHED. RELEASED FOR PUBLICATION

© COPYRIGHT BY

REVISIONS						
P	F	ZONE	LTR	DESCRIPTION	DATE	APPROVED
			M1	REVISED PER ECO-11-005294	19APR11	HMR



- 1 WIRE INSULATION DIA. = .105-.140
- 2 TONGUE MATERIAL THK. = .031±.002
- 3 22-18 MARKING FOR MILITARY, COMMERCIAL RANGE 22-16
- 4 TIN PLATE (ASTM B 545) .000100 MIN THK.
- 5 PRELIMINARY - NOT FOR PRODUCTION
- 6 SUPERSEDED BY 8-34541-1

OBsolete	OBsolete	COLOR	QTY.	DESCRIPTION	PART NO
		RED	50	LOOSE PIECE, BAG	8-34541-5
		RED	100	LOOSE PIECE, BOX	8-34541-1
		BLACK	5,000	34541-1 ON TAPE, REEL	2-34541-4
		RED	100	ON TAPE, SM. BOX	2-34541-3
		RED	1,000	ON TAPE, LG. BOX	2-34541-2
		RED	5,000	34541 ON TAPE, REEL	2-34541-1
		BLACK	#	LOOSE PIECE	34541-1
		RED	#	LOOSE PIECE	34541

UNLESS OTHERWISE SPECIFIED DIMENSIONS ARE IN INCHES. TOLERANCES ON: DECIMALS ±.008 ANGLES ±	CONTRACT NO	TE Connectivity	
	DR UTA/RFB 9-24-85		
MATERIAL INSULATION: NYLON - RED BODY & SLEEVE: COPPER PER (ASTM B 152)	CHK Muty 1-27-85	NAME TERMINAL, RIDG™ SPADE WIRE SIZE: 22-16	
FINISH BODY: 4	ARPD	SIZE B	FSCM. NO 00779
	APPD	DRAWING NO 34541	
	DSGN APPD	SCALE NTS	SHEET 1 OF 1
	OTHER APPD		