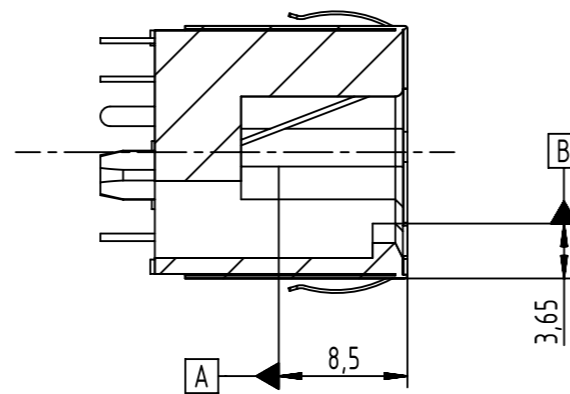
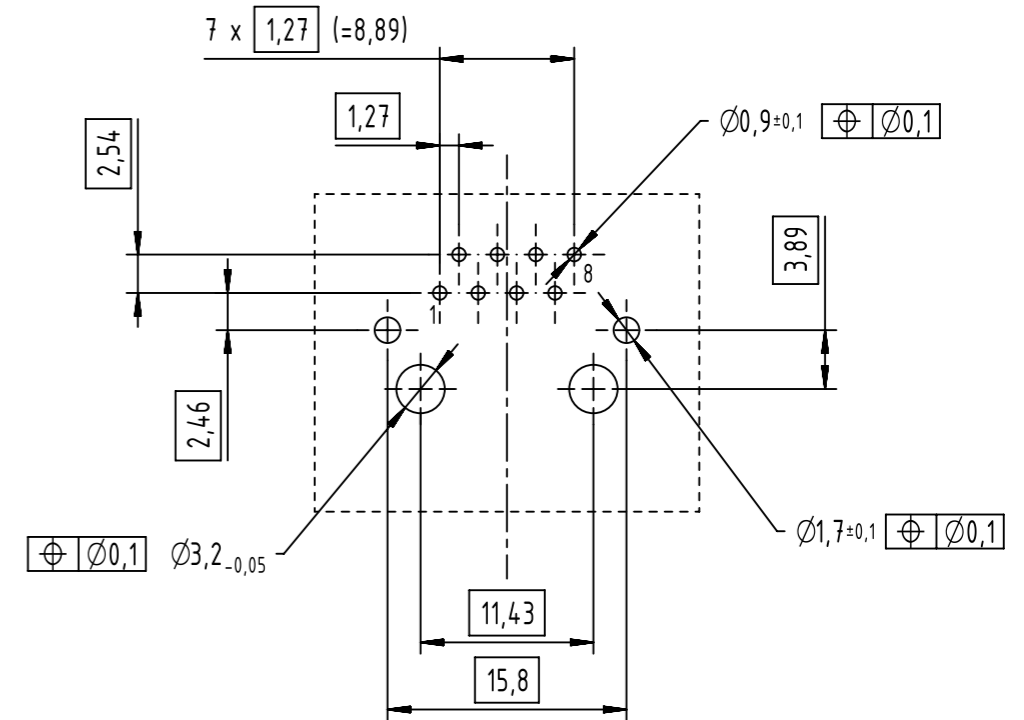


A-A



PC-Board layout
view component side
thickness up to 2,4 mm



	All rights reserved Department EC PD - FR HARTING Electronics GmbH D-32339 Espelkamp	All Dimensions in mm Original Size DIN A3		Scale 2:1	Free size tol.	Ref. Sub.
		Created by DOUGE	Inspected by BAGDIKIAN	Standardisation HOFFMANN	Date 2014-03-21	State Final Release
Title RJI RJ45 JACK CAT.5 THT VERTICAL 16x16		Type TB		Number 09455511120		Doc-Key / ECM-Nr. 100216470/UGD/002/B 50000072743
					Rev. B	Page 1/1