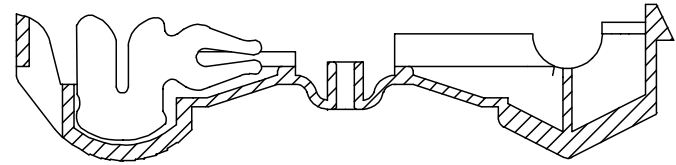
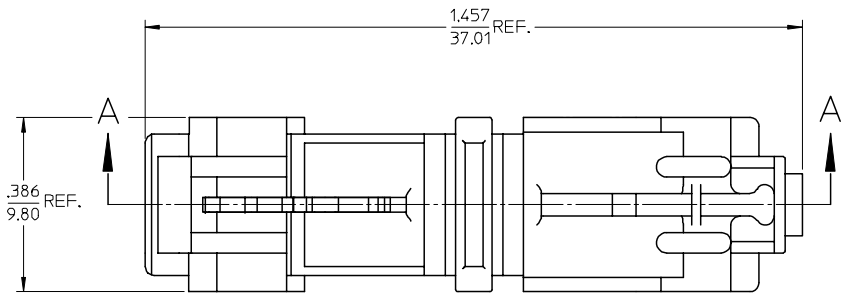
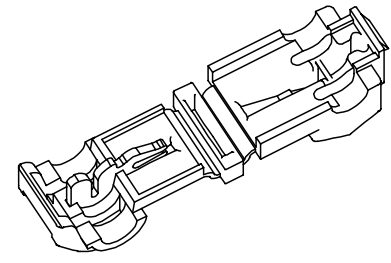
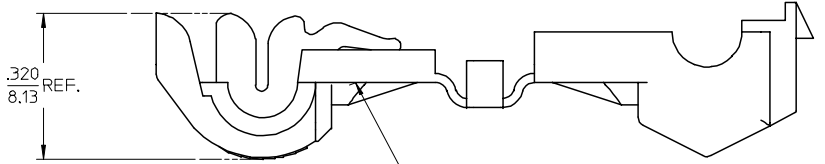


12 11 10 9 8 7 6 5 4 3 2 19216

ASSEMBLY MATERIAL NO.	ASSEMBLY ENG. NO.	WIRE RANGE MARKING (XXXXX)	HOUSING COLOR
192160017	WTB-1814	18-14 AWG	BLUE
192160018	WTB-22-18	22-18 AWG	RED
192160019	WTB-12	12 AWG	YELLOW



SECTION A-A



INSERT TO BE FULLY SEATED AGAINST FLOOR

SALES DRAWING

RELEASE TO W/MANAGER EC NO: ETC2004-0058 DRWN: DMYRICK 2003/09/05 CHKD: RWD 2003/09/05 APPR: RDEROSS 2003/09/08	DESCRIPTION REV	QUALITY SYMBOLS	GENERAL TOLERANCES (UNLESS SPECIFIED)	SCALE 5:1	DESIGN UNITS INCH	THIRD ANGLE PROJECTION	REVISE ON CAD ONLY														
		▼-0 ◻-0	<table border="1"> <thead> <tr> <th></th> <th>mm</th> <th>INCH</th> </tr> </thead> <tbody> <tr> <td>4 PLACES</td> <td>± .005</td> <td>± .0005</td> </tr> <tr> <td>3 PLACES</td> <td>± .005</td> <td>± .0005</td> </tr> <tr> <td>2 PLACES</td> <td>± .005</td> <td>± .0005</td> </tr> <tr> <td>1 PLACE</td> <td>± .005</td> <td>± .0005</td> </tr> </tbody> </table>		mm	INCH	4 PLACES	± .005	± .0005	3 PLACES	± .005	± .0005	2 PLACES	± .005	± .0005	1 PLACE	± .005	± .0005	DIMENSION STYLE IN/MM DRAWN BY DATE DLM 03/06/26 CHECKED BY DATE RWD 03/06/26 APPROVED BY DATE RWD 03/06/26	TITLE WIRE TAP TERMINAL ASSEMBLY MOLEX INCORPORATED (SEE CHART)	SHEET NO. 1 OF 1 DOCUMENT NO. SD-19216-007
			mm	INCH																	
		4 PLACES	± .005	± .0005																	
3 PLACES	± .005	± .0005																			
2 PLACES	± .005	± .0005																			
1 PLACE	± .005	± .0005																			
DRAFT WHERE APPLICABLE MUST REMAIN WITHIN DIMENSIONS		THIS DRAWING CONTAINS INFORMATION THAT IS PROPRIETARY TO MOLEX INCORPORATED AND SHOULD NOT BE USED WITHOUT WRITTEN PERMISSION																			
A		C																			

11 10 9 8 7 6 5 4 3 2 1