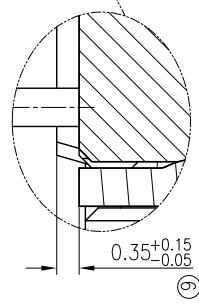
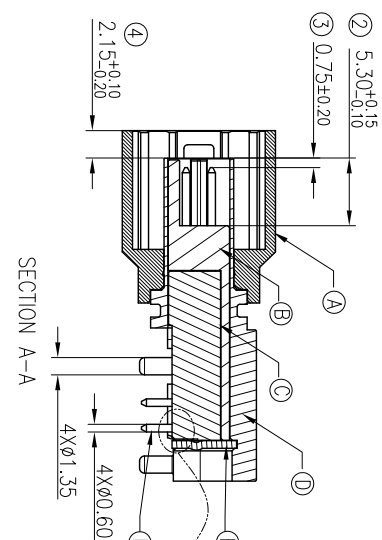
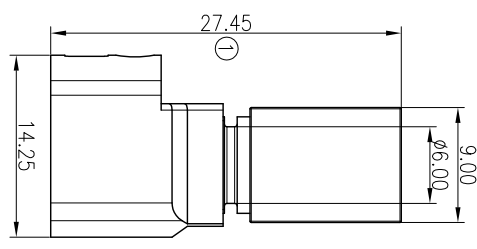
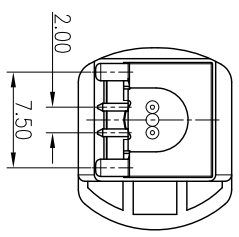
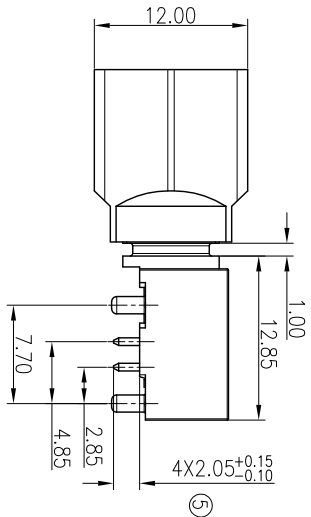
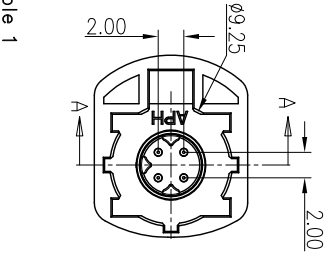
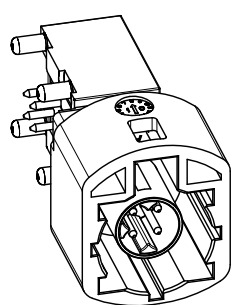


This document is the property of Amphenol Corporation and is intended for the express condition that it is not to be disclosed, reproduced or used, in whole or in part, for manufacture or sale by anyone other than Amphenol Corporation without the express written consent of Amphenol Corporation. It is intended to be used only for information in this document.



Scale 5:1



- Notes:
- Material:
 - Ⓐ Housing: High temperature thermoplastic,color see table 1.
 - Ⓑ Dielectric: High temperature thermoplastic,color black.
 - Ⓒ Outer contact : Zinc alloy.
 - Ⓓ Cover: Stainless Steel.
 - Ⓔ Contact: Copper alloy.
 - Finish:
 - Ⓕ Center contact: Gold plated overall.
 - Ⓖ Outer contact : Solderable Ni plated.
 - RoHS compliant.
 - Order P/N system:

HSD-WXRP-PCB-12X

Coding: _____
 See table 1

Packing method:
 A- Packing by tape & reel
 B- Packing by tray
 C- Single Packing

Table 1

Plug	Coding	Color	Ral
	A	Black	9005
	B	White	9001
	C	Blue	5005
	D	Claret	4004
	E	Green	6002
	F	Brown	8011
	Z	Waterblue	5021

Plug	Coding	Color	Ral
	G	Grey	7031
	H	Violet	4003
	J	Beige	1001
	K	Curry	1027
	L	Yellow green	6018
	M	Pastel orange	2003
	O	Light green	6027



MANUFACTURE DRAWING

Amphenol

UNLESS OTHERWISE SPECIFIED		APPROVAL		DATE	
TOLERANCES	U.S.	METRIC	DRAWN	Kaid Yang	01/15/13
			CHECKED	Dan He	01/15/13
X +/-	0.50	0.25	DRAWING FILE		
.XX +/-	0.25	0.20	ANGLE OF PROJECTION		
.XXX +/-	0.20	0.20	REMOVE SHARP EDGES		
FRACTIONS +/-		5°	DIMENSIONS		
ANGLES +/-			U.S. INCHES		
SEE NOTES			METRIC MM		
FOR MATERIALS AND FINISHES		DRAWING FILE			
REMOVE SHARP EDGES		ANGLE OF PROJECTION			
TITLE		HSD R/A LOWER PROFILE PLUG CONNECTOR			
SIZE		A4			
DRAWING NO.		M HSD-WXRP-PCB-12X			
SCALE		1:1			
SHEET		1 OF 1			
REV.		B			

REVISIONS				
SYM	ECN	DESCRIPTION	DATE	APPROVED
A	HK7019	RELEASE TO MANUFACTURE	12/10/13	IP
B	HK7032	ADD A DIMENSION FOR LID(6#)	01/15/14	IP