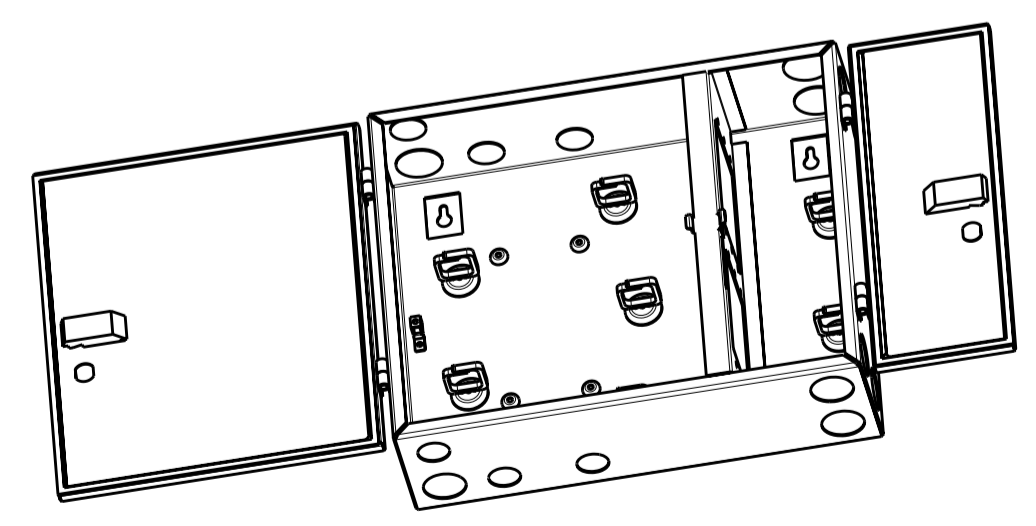
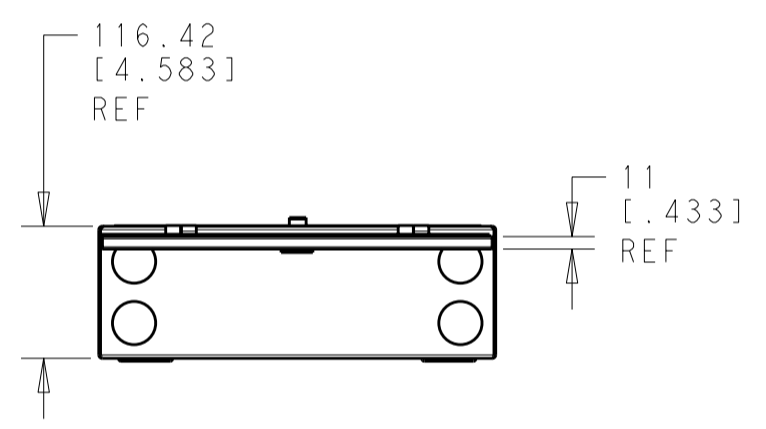
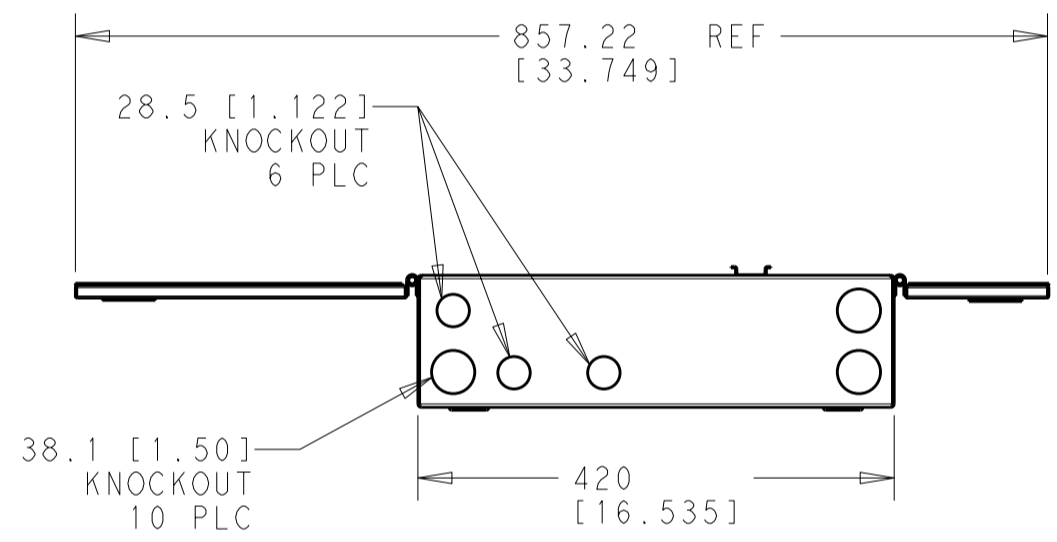
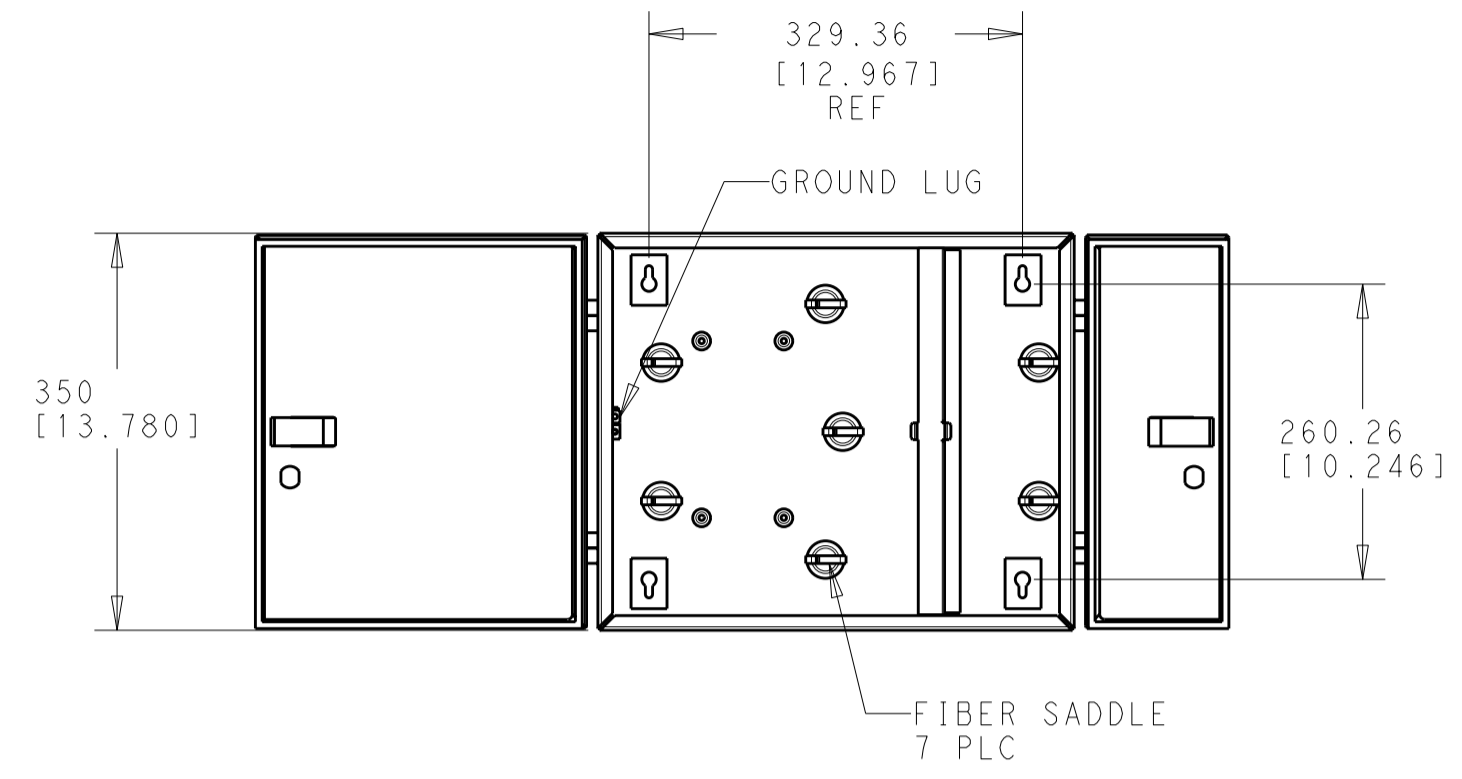


THIS DRAWING IS UNPUBLISHED. RELEASED FOR PUBLICATION 20
 © COPYRIGHT 20 BY - ALL RIGHTS RESERVED.

LOC	DIST	REVISIONS			
P	LTR	DESCRIPTION	DATE	DWN	APVD
HM	00	B	OBSOLETE -3, ECO-11-016553	15AUG2011	LH JS



- THE FOLLOWING LABELS ARE PROVIDED:
 (1) LASER WARNING LABEL
 (4) 36/72 LINE LABEL
- ENCLOSURE WILL ACCEPT (6) SIX SNAP-IN ADAPTER PLATES.
- 1278755-3 INCLUDES THE FOLLOWING:
 (1) CABLE GLAND P/N 1374609-1. FITS 1.50"Ø KO. AND ACCEPTS .60"-1.00"Ø CABLE.
 (1) CABLE GLAND P/N 1374609-2. FITS 1.122"Ø KO. AND ACCEPTS .35"-.70"Ø CABLE.
 (2) GROMMETS P/N 1374608-1. FITS 1.50"Ø KO. MAX. 1.125"Ø OPENING.
- 1278755-4 INCLUDES THE FOLLOWING:
 (1) CABLE GLAND P/N 1374609-1. FITS 1.50"Ø KO. AND ACCEPTS .60"-1.00"Ø CABLE.
 (1) CABLE GLAND P/N 1374609-2. FITS 1.122"Ø KO. AND ACCEPTS .35"-.70"Ø CABLE.
 (2) GROMMETS P/N 1374608-1. FITS 1.50"Ø KO. MAX. 1.125"Ø OPENING.
 (1) SPLICE TRAY HOLDER KIT P/N 137419-1. (ACCEPTS UP TO 4 SPLICE TRAYS P/N 559433).

OBSOLETE	4	BLACK	1278755-4
	3	BLACK	1278755-3
	-	GRAY	1278755-2
	-	BLACK	1278755-1
ACCESSORIES		FINISH	PART NO.

THIS DRAWING IS A CONTROLLED DOCUMENT.		DWN T GREEN TOAPROO	TE Connectivity DB 36/72 CHASSIS ASSEMBLY				
DIMENSIONS: mm [INCHES]		CHK J HOFFER TOAPROO					
TOLERANCES UNLESS OTHERWISE SPECIFIED:		APVD D MCCLURE TOAPROO					
0 PLC ±0.3 1 PLC ±0.3 2 PLC ±0.3 3 PLC ± 4 PLC ± ANGLES ± FINISH ±		PRODUCT SPEC -	SIZE	CAGE CODE	DRAWING NO	RESTRICTED TO	
MATERIAL 1.5mm STL SEE TABLE		APPLICATION SPEC -	A200779	C-1278755			
		WEIGHT -	CUSTOMER DRAWING		SCALE 1:4	SHEET 1 OF 1	REV B