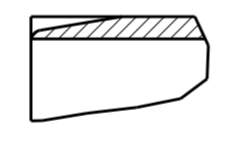
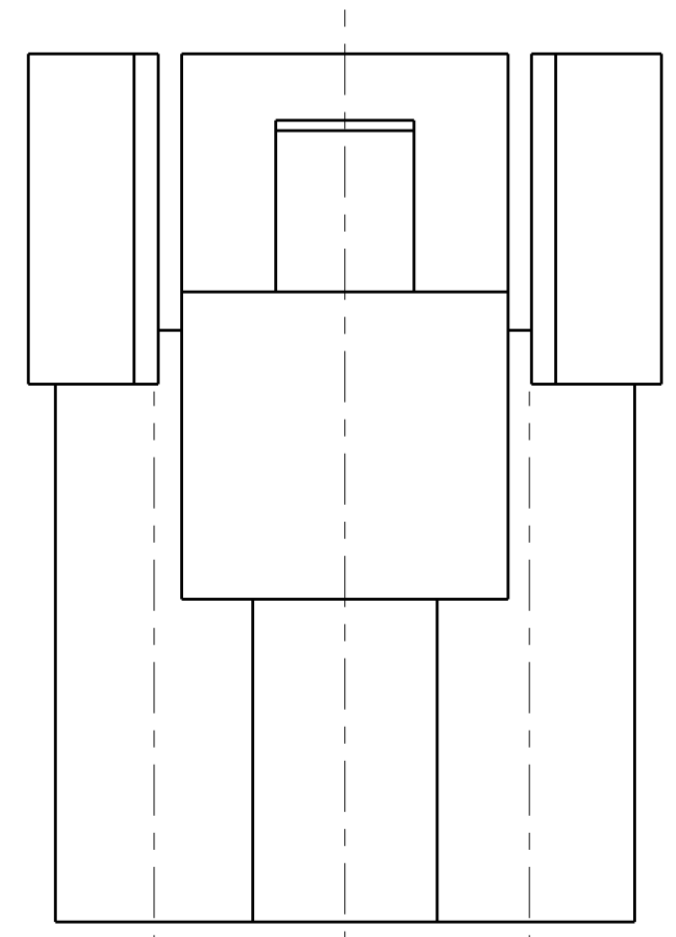
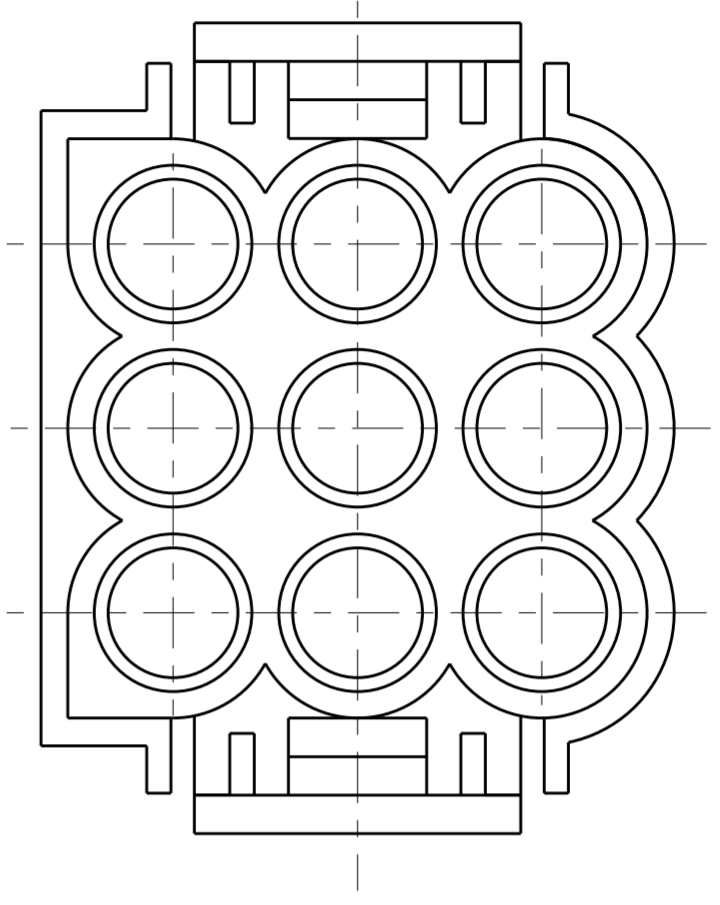
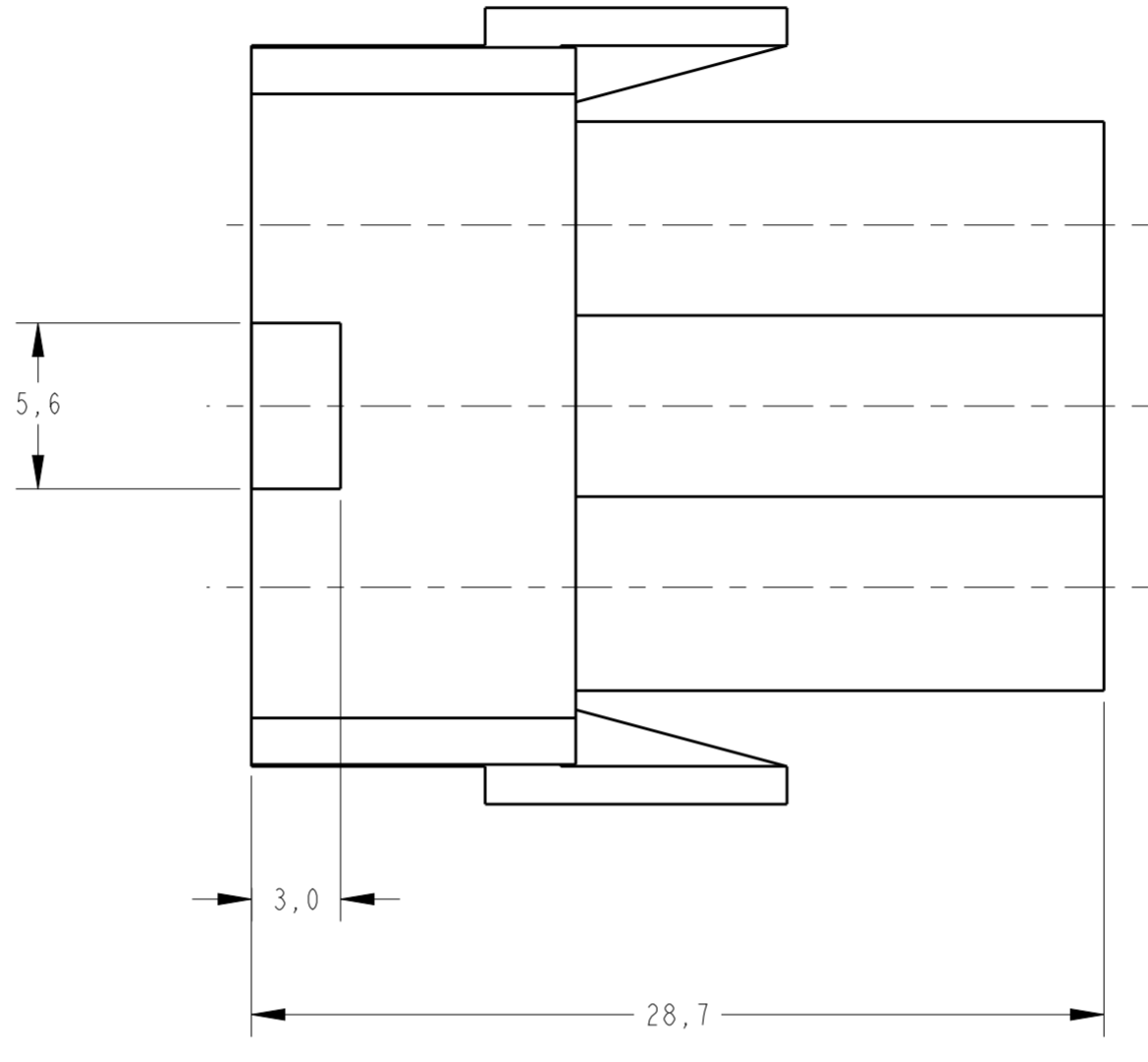
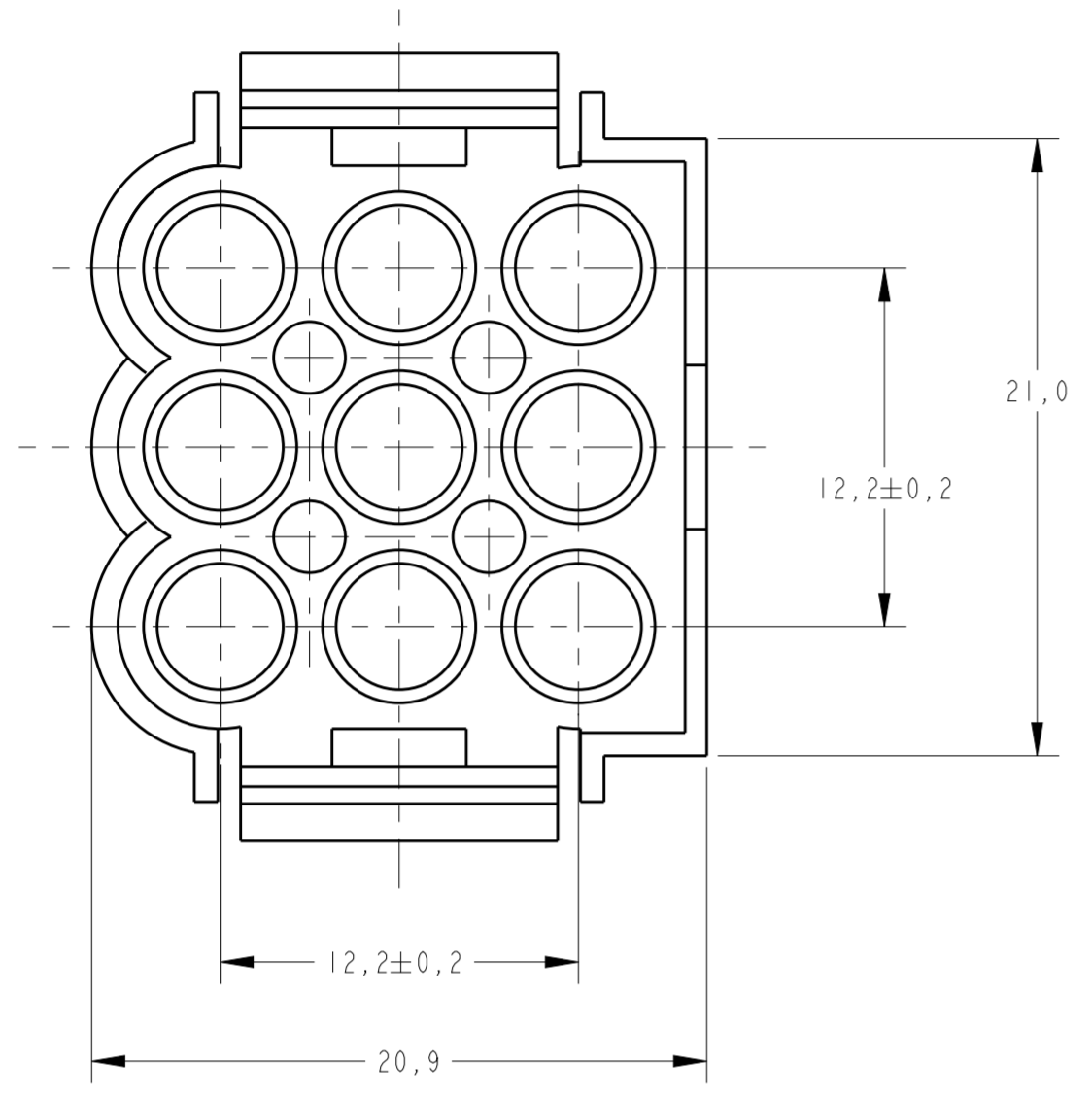


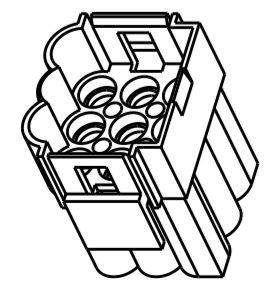
THIS DRAWING IS UNPUBLISHED. RELEASED FOR PUBLICATION 20
 © COPYRIGHT 20 BY - ALL RIGHTS RESERVED.

REVISIONS				
P	LTR	DESCRIPTION	DATE	APVD
G2		REDRAWN AND REV. ECO-16-006713	06JUN2016	HC WLS



SECTION C-C
AUXILIARY VIEW

NOTE	FINISH	MATERIAL	PART NUMBER
	NATURAL	POLIAMIDA 6.6 VI5	880125-6
OBSOLETE	VERMELHO	POLIAMIDA 6.6	880125-5
OBSOLETE	AZUL	POLIAMIDA 6.6	880125-4
OBSOLETE	VERDE	POLIAMIDA 6.6	880125-3
OBSOLETE	BRANCO	POLIAMIDA 6.6	880125-2
OBSOLETE	PRETO	POLIAMIDA 6.6	880125-1



SCALE 1:1

THIS DRAWING IS A CONTROLLED DOCUMENT.

DIMENSIONS:	TOLERANCES UNLESS OTHERWISE SPECIFIED:	DWN	30MAY2016	TE Connectivity
mm	0 PLC ± 1 PLC ±0.5 2 PLC ± 3 PLC ± 4 PLC ±1°	CHK	31MAY2016	
	ANGLES ± FINISH	APVD		
MATERIAL		PRODUCT SPEC		NAME
		APPLICATION SPEC		9 CIRCUIT. 140 DIA. MATE-N-LOK CAP
		WEIGHT		SIZE
		CUSTOMER DRAWING		A2
				CAGE CODE
				-
				DRAWING NO
				G-880125
				RESTRICTED TO
				-
				SCALE
				4:1
				SHEET
				OF
				1
				REV
				G2