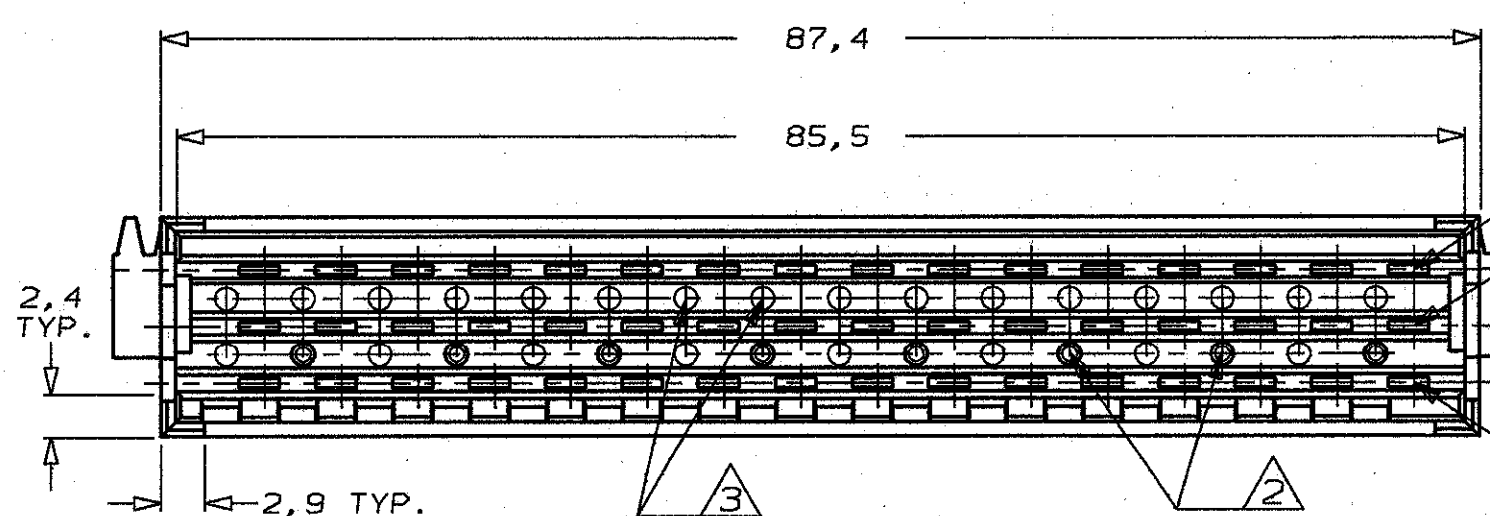
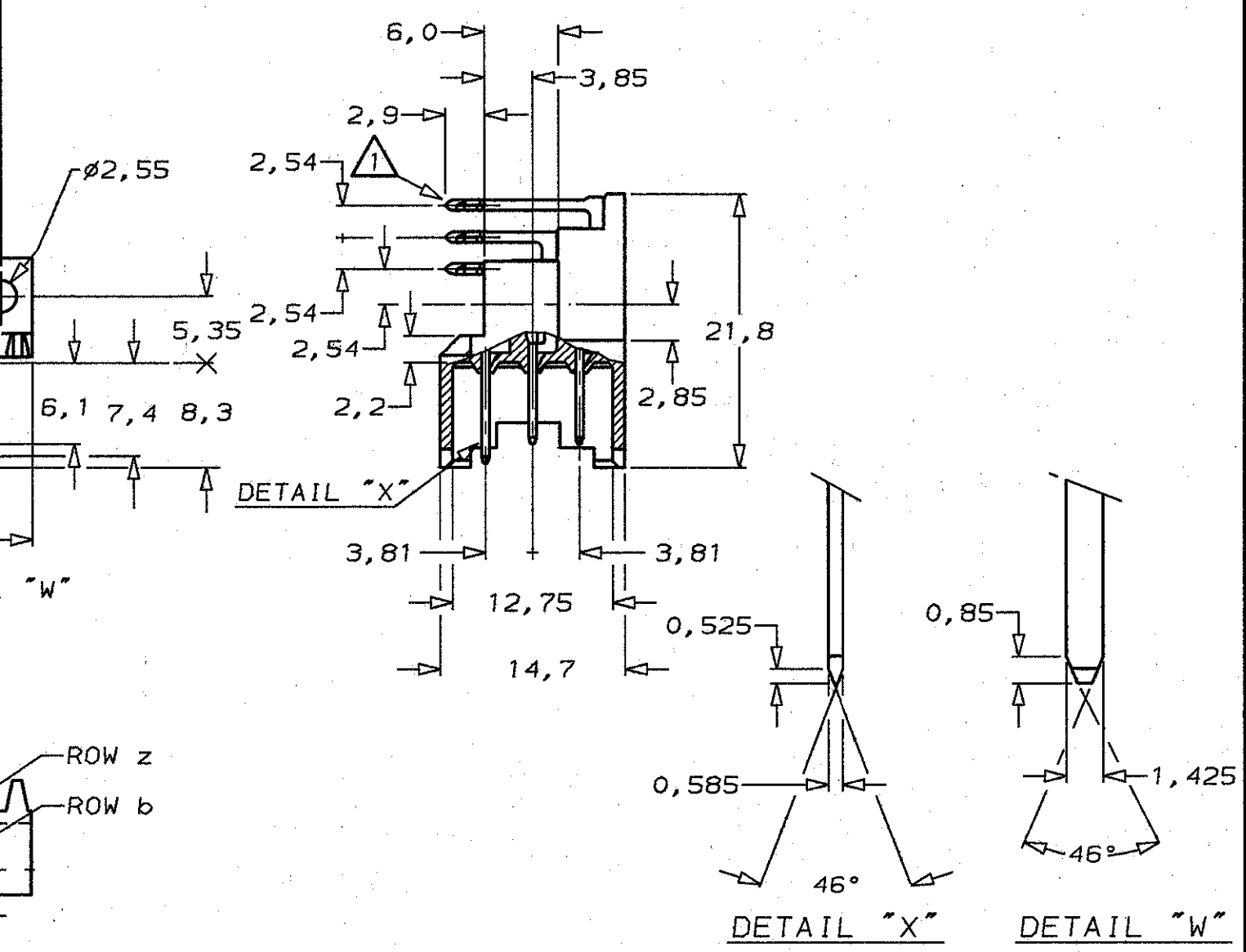
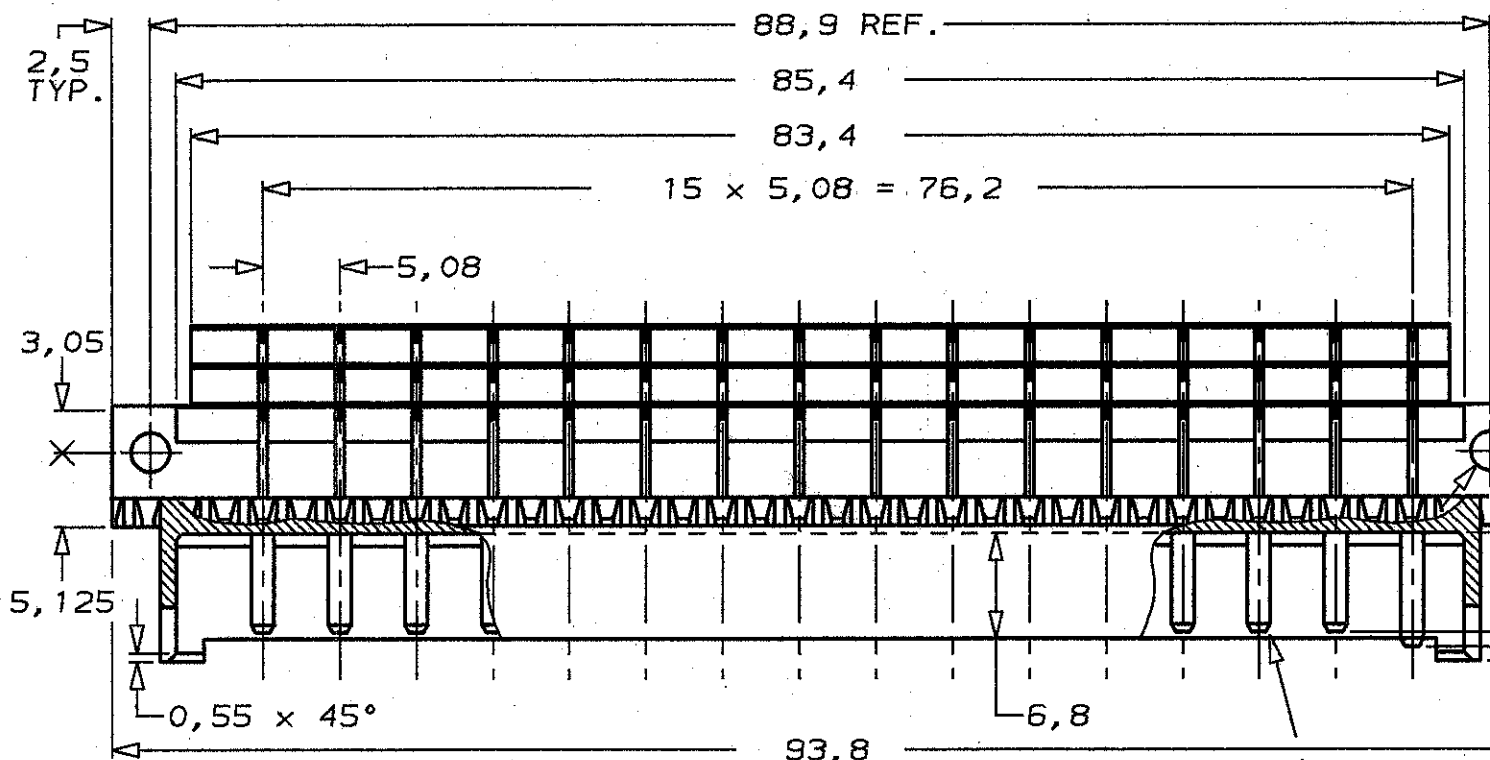
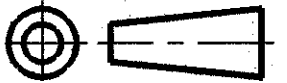


DO NOT SCALE
DIMENSIONS IN mm

METRIC

THIRD ANGLE
PROJECTION



| CONTACT No. | 2 | 4 | 6 | 8 | 10 | 12 | 14 | 16 | 18 | 20 | 22 | 24 | 26 | 28 | 30 | 32 |
|-------------|---|---|---|---|----|----|----|----|----|----|----|----|----|----|----|----|
| Z | x | x | x | x | x | x | x | x | x | x | x | x | x | x | x | x |
| F 48 ROW b | x | x | x | x | x | x | x | x | x | x | x | x | x | x | x | x |
| d | x | x | x | x | x | x | x | x | x | x | x | x | x | x | x | x |

| | | |
|---|--|----------|
| AT CONT. AREA: 1,25µm Au OVER 1,25µm Ni. | HOUSING: GLASSFILLED POLYESTER (GREY) | 216040-1 |
| AT POST AREA: 2,5µm Sn/Pb OVER 1,25µm Ni | CONTACTS: PHOSPHORBRONZE | |

AN ASTERISK ,,X'' DENOTES A STAND. CONTACT.
AN ASTERISK ,,⊗'' DENOTES A FIRST-MAKE-LAST-BREAK CONTACT.

NOTES:

- ① ACTION-PIN AREA SUITABLE FOR P.C.B.-THICKNESS 1,6 mm.
- ② 8 KEYING HOLES SUITABLE FOR KEYING PIN P.N.215916-1
- ③ KEYING HOLES CAN BE DRILLED BY CUSTOMER.

| | |
|--------------|-------------------|
| DRILLED HOLE | 1,15 ±0,025 mm |
| FIN. HOLE | 1,09 to 1,09 mm |
| AFTER REFLOW | 1,09 to 1,09 mm |
| Cu-thks | 0,025 to 0,075 mm |
| SnPb-thks | 0,004 to 0,010 mm |

| FINISH | | | | MATERIAL | | PARTNUMBER | |
|--------------|-----------------|-------|---------------|--|------------|--|----------|
| - | - | - | - | CUSTOMER DRAWING | | FOR REFERENCE ONLY WILL NOT BE UPDATED | |
| - | - | - | - | © COPYRIGHT 19- BY AMP HOLLAND B.V. ALL INTERNATIONAL RIGHTS RESERVED. AMP PRODUCTS MAY BE COVERED BY U.S. AND FOREIGN AND/OR PATENTS PENDING. | | | |
| - | - | - | - | THIS DRAWING IS UNPUBLISHED RELEASED FOR PUBLICATION | | | |
| A EH-0186-94 | | | | RVL | J.V.G | 23-03-94 | |
| LTR. | REVISION RECORD | | DR. | CHK. | DATE | | |
| DR.: | R.V. LOKVEN | CHK.: | J.V. BRUNSVEN | APP.: | J.V. SOEST | DWG.No. | C-216040 |
| DATE: | 14-06-88 | DATE: | 14-06-88 | DATE: | 23-06-88 | REV.LTR. | A |
| | | | | | | SHEET | 1 OF 1 |
| | | | | | | A3 | |

AMP AMP HOLLAND B.V.
's-Hertogenbosch, The Netherlands.

NAME 48 POS. DIN 41612 F MALE
90° ACTION PIN CONNECTOR.
(WITH 1 F.M.L.B. CONTACT IN POS. Z32)