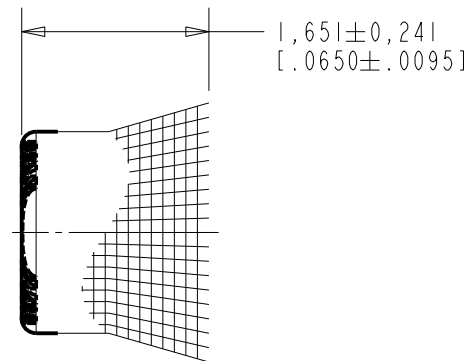
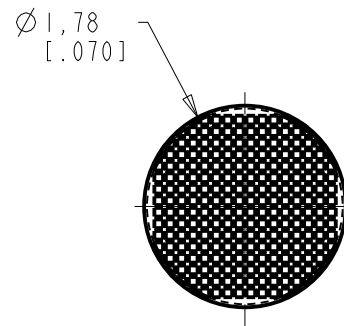


BF-32212-000

SHT 1.1

(B) NOTE:

1. ACOUSTIC RESISTANCE IS MEASURED WITH ELEMENT INSERTED IN HOLE 1,80 [.071] DIA X 2,54 [.100] LONG.
2. ACOUSTICAL RESISTANCE TO BE $1200 \pm 20\% \Omega$ COLOR WHITE.
3. ACOUSTIC DAMPING ELEMENTS ARE PACKED 100 PIECES PER BOX.



DIMENSIONS IN MILLIMETERS [INCHES]

KNOWLES ELECTRONICS
 ITASCA, ILLINOIS U.S.A.

Revision	C.O. #	Implementation Date	RELEASE LEVEL	REVISION
B	MI0105938	3-18-15	Active	B
A	MI0105193	7-12-13		
SCALE: 15:1			DR. BY	DATE
DO NOT SCALE DRAWING			OO	7-12-13
			CK. BY	DATE
TITLE: BF DAMPER OUTLINE DRAWING			GJP	8-1-13
			BF-32212-000 SHT 1.1	
			GJP	8-1-13