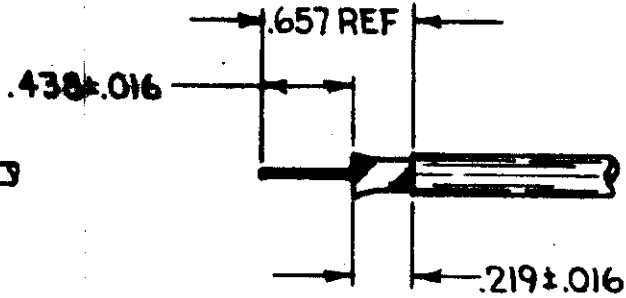
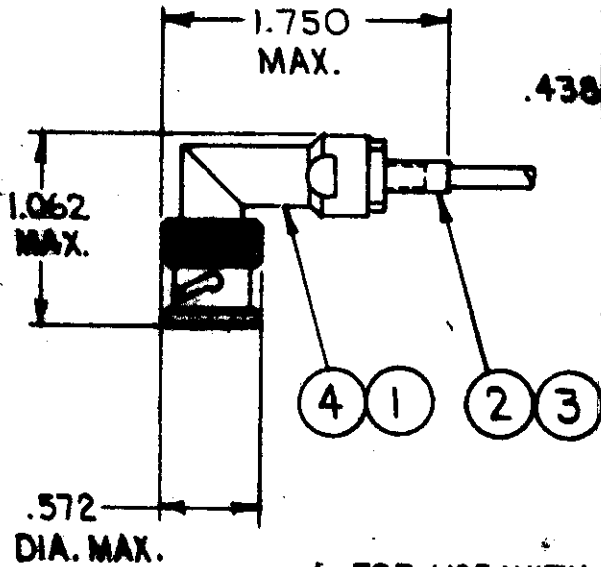


REVISIONS				
P/F	TR	DESCRIPTION	DATE	APPROVED
✓	✓	G REVISED / REDRAWN PER ECN C82-512	4-20-83	PK. A.S.



RECOMMENDED STRIP LENGTH

1. FOR USE WITH: RG-58/U, 58A/U, 58B/U & 58C/U
2. USE CRIMPING TOOL: 69140-1
3. SEE I.S.: 1799-5

4	1	GASKET	2-329106-1
3	1	CRIMP END ASSY	50793-1
2	1	FERRULE	328663
1	1	PLUG ASSY, RIGHT ANGLE	330797
ITEM	QTY.	DESCRIPTION	PART NO

OTHERWISE DIMENSIONS SHOWN ON: ± .015 ± .030

CONTRACT NO
 DR *P. Kerlin* 4/20/83
 CHG *R. E. Hall* 5/5/83
 APPD *Don Smith* 5/12/83
 APPD *M. E. Smith* 4/25/84
 DSGN APPD
 OTHER APPD

AMP | AMP INCORPORATED
 Harrisburg, Pa. 17105

NAME
 CONNECTOR, COAXIAL, RF, PLUG
 RIGHT ANGLE, SERIES BNC

SIZE **A** FSCM NO **00779** DRAWING NO **331175**

SCALE **NTS** SHEET **1**

AMP INCORPORATED, Harrisburg, Pa. ALL INTERNATIONAL RIGHTS RESERVED. AMP PRODUCTS MAY BE COVERED BY U.S. AND FOREIGN PATENTS AND/OR PATENTS PENDING.