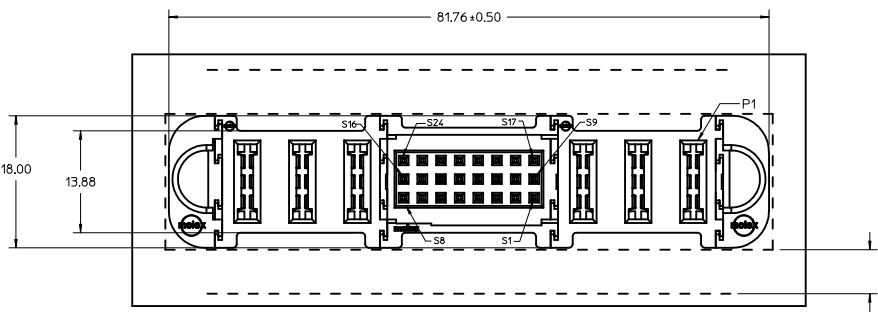
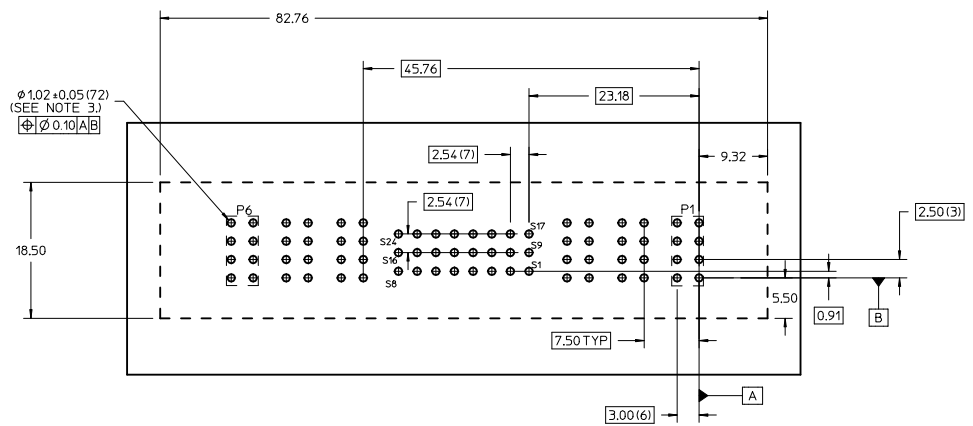
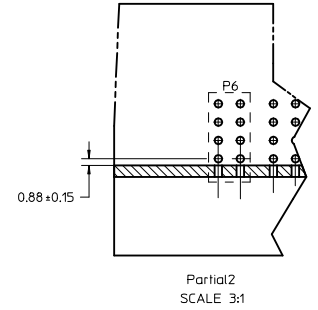
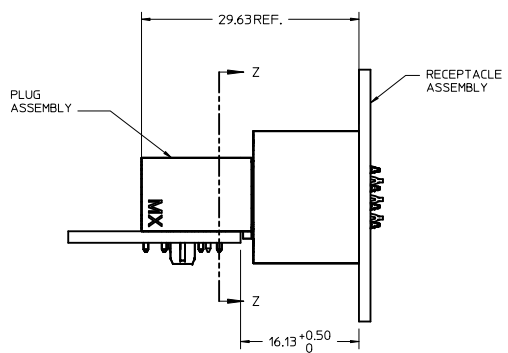


P/N: 46562-1117



ALLOW EXTRA 6.00 PER SIDE (REQUIRED FOR RE-WORK)



RECOMMENDED PCB LAYOUT AND KEEP-OUT ZONE

NOTES:

- MATERIAL:
  - HOUSINGS: LCP UL94 V-0, COLOR: BLACK.
  - TERMINALS: COPPER ALLOY.
  - PLATING: 0.000127 NICKEL OVERALL WITH 0.00254 SELECTIVE MATTE TIN ON COMPLIANT PINS.
- AND 0.000762 SELECTIVE GOLD ON CONTACT AREA.
- PACKAGING ASSEMBLIES TO BE TRAY PACKED. STD. QUANTITY: TBD.
- PC BOARD REQUIRES THRU HOLES. REFER TO PS-46436-100 FOR DETAILS.
- PRODUCT SPEC: PS-46436-100.
- APPLICATION SPEC: AS-46436-100.
- SEE PRODUCT SPEC FOR MEET ROHS REQUIREMENTS.
- ASSEMBLY MATES WITH MOLEX PLUG ASSEMBLY, P/N 46437-1117.

RELEASED IEC NO. UCP2011-242 DRAWN: JUILLES 2011/01/19 CHKD: KARADIMAS 2011/01/19 APPR: APATEL 2011/01/31	QUALITY SYMBOLS	GENERAL TOLERANCES (UNLESS SPECIFIED)		DIMENSION STYLE MM ONLY		SCALE 3:1	DESIGN UNITS METRIC	THIRD ANGLE PROJECTION
		mm	INCH	DRAWN BY BKOSTIC	DATE 2010/03/23	TITLE VERT. RECPTACLE ASSY 3P-24S-3P, PRESS-FIT TEN60 POWER FAMILY		
		4 PLACES ±---	±---	CHECKED BY BKOSTIC	DATE 2010/03/23	MOLEX INCORPORATED		
		2 PLACES ±0.13	±---	APPROVED BY APATEL	DATE 2010/04/29	MATERIAL NO. 46562-1117		
	1 PLACE ±0.25	±---	ANGULAR ±1/2°		DOCUMENT NO. SD-46562-1117		SHEET NO. 1 OF 1	
	DRAFT WHERE APPLICABLE MUST REMAIN WITHIN DIMENSIONS		SIZE D		THIS DRAWING CONTAINS INFORMATION THAT IS PROPRIETARY TO MOLEX INCORPORATED AND SHOULD NOT BE USED WITHOUT WRITTEN PERMISSION			