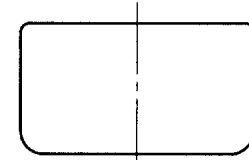
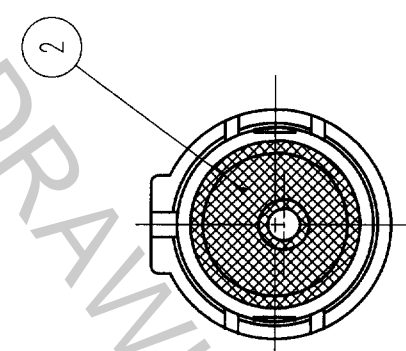
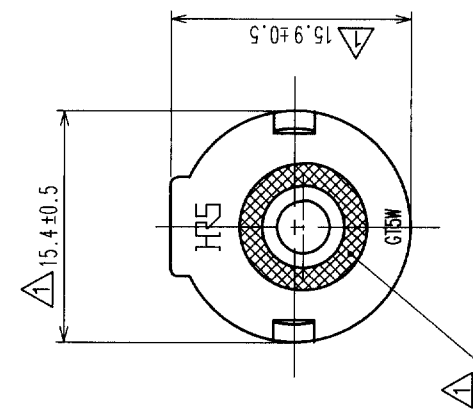
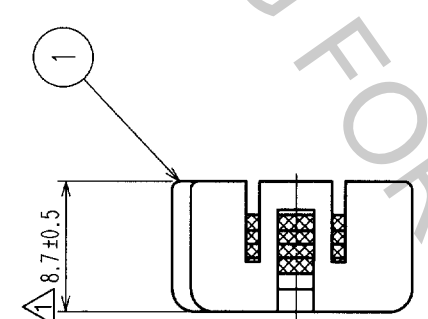
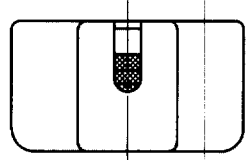


COUNT	DESCRIPTION OF REVISIONS	BY	CHKD	DATE	COUNT	DESCRIPTION OF REVISIONS	BY	CHKD	DATE
4	RE-T-00607	T.I	M.O	01.11.28					



TO	

NOTE1. APPLICABLE CABLE DIA.: φ2.9 TO φ3.4

HRS DRAWING FOR REFERENCE

1 PBT-M		DARK GRAY		2 SILICONE RUBBER		LIGHT BLUE	
NO.	MATERIAL	FINISH, REMARKS	NO.	MATERIAL	FINISH, REMARKS	NO.	MATERIAL
CODE NO. (OLD) CL559-0214-9				DRAWN T. EBIHARA '97. 6. 26		DESIGNED N. NAKATA '97. 6. 30	
				CHECKED K. SATO '97. 7. 1		APPROVED M. YAMAMOTO '97. 7. 1	
SCALE 2 : 1		DRAWING NO. EDC3-165088		PART NO. GT5W-1P/S-R		RELEASED	
UNITS mm				CODE NO. CL755-0028-5		1/1	



HIROSE ELECTRIC CO., LTD