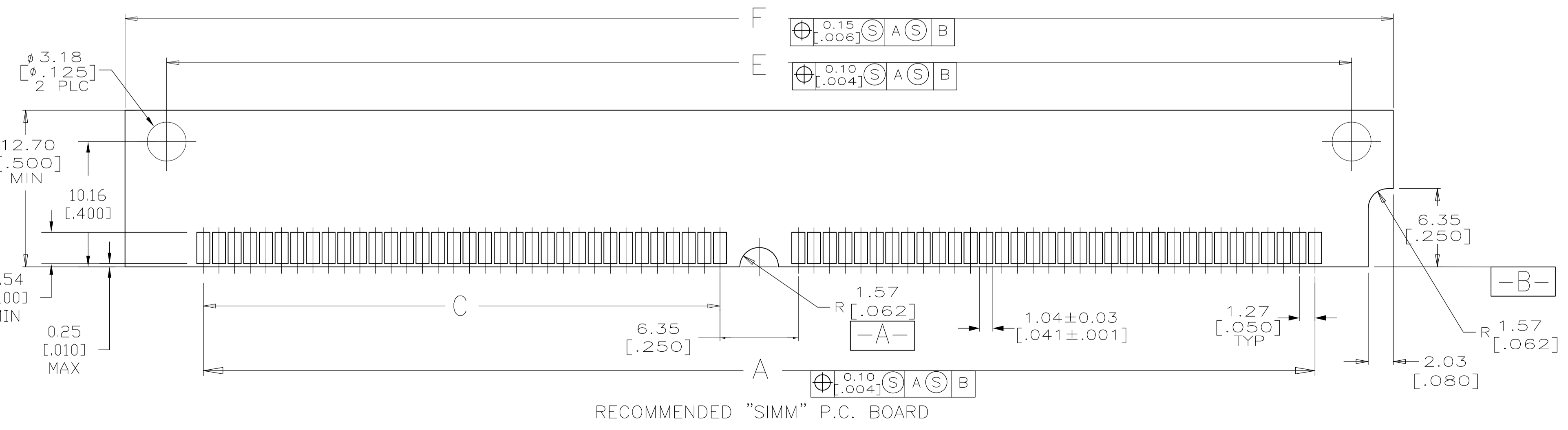
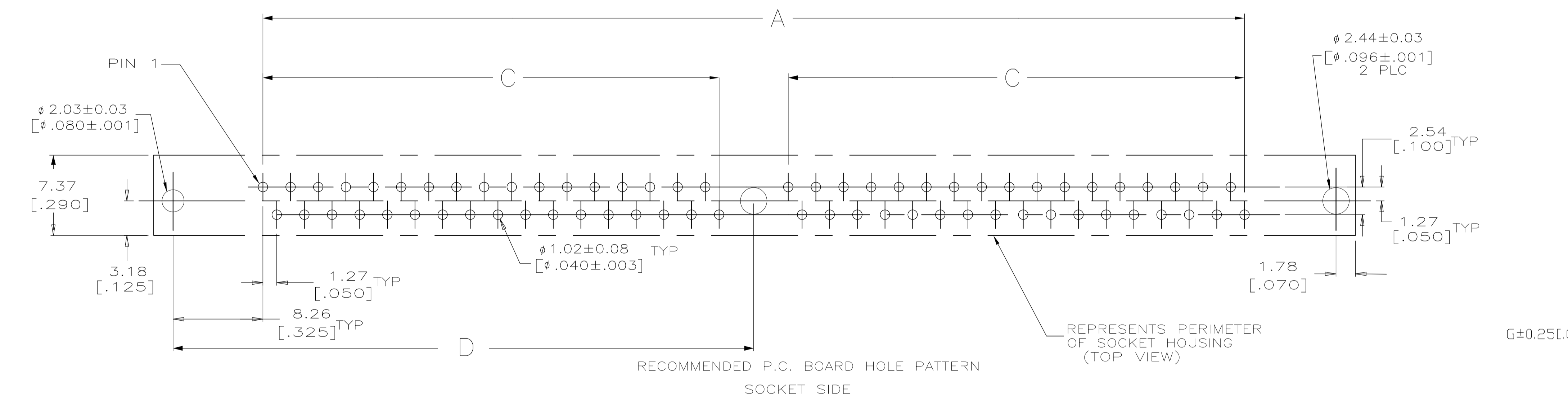
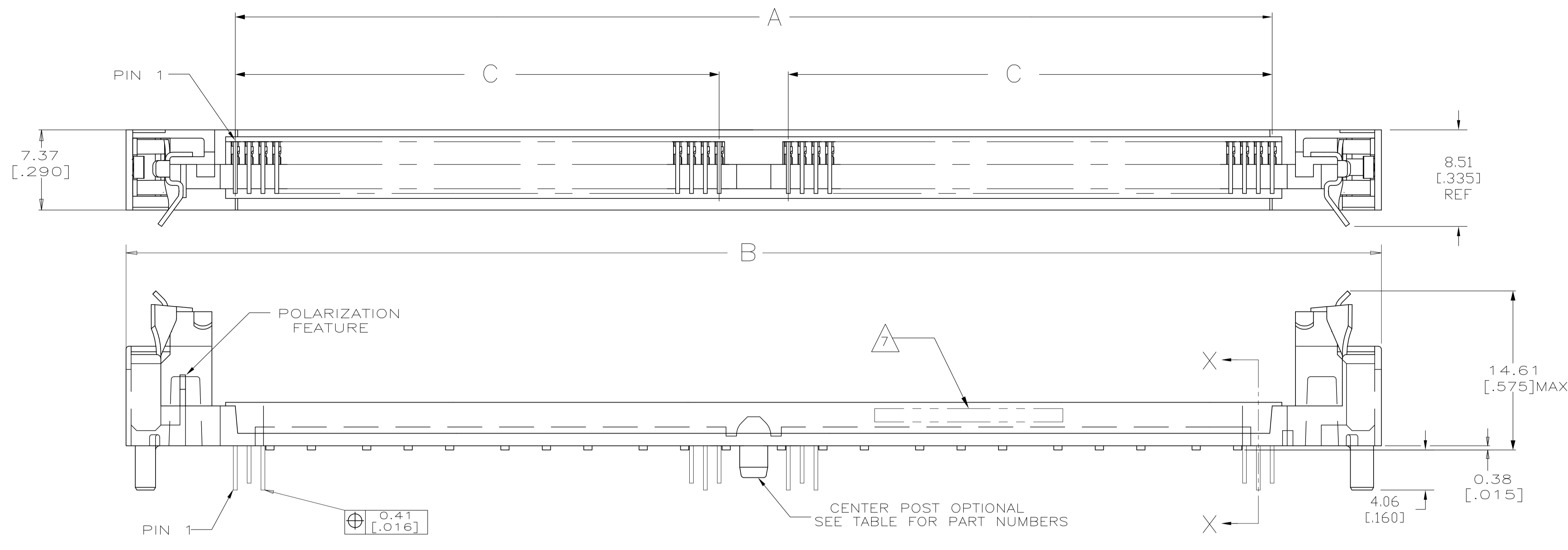
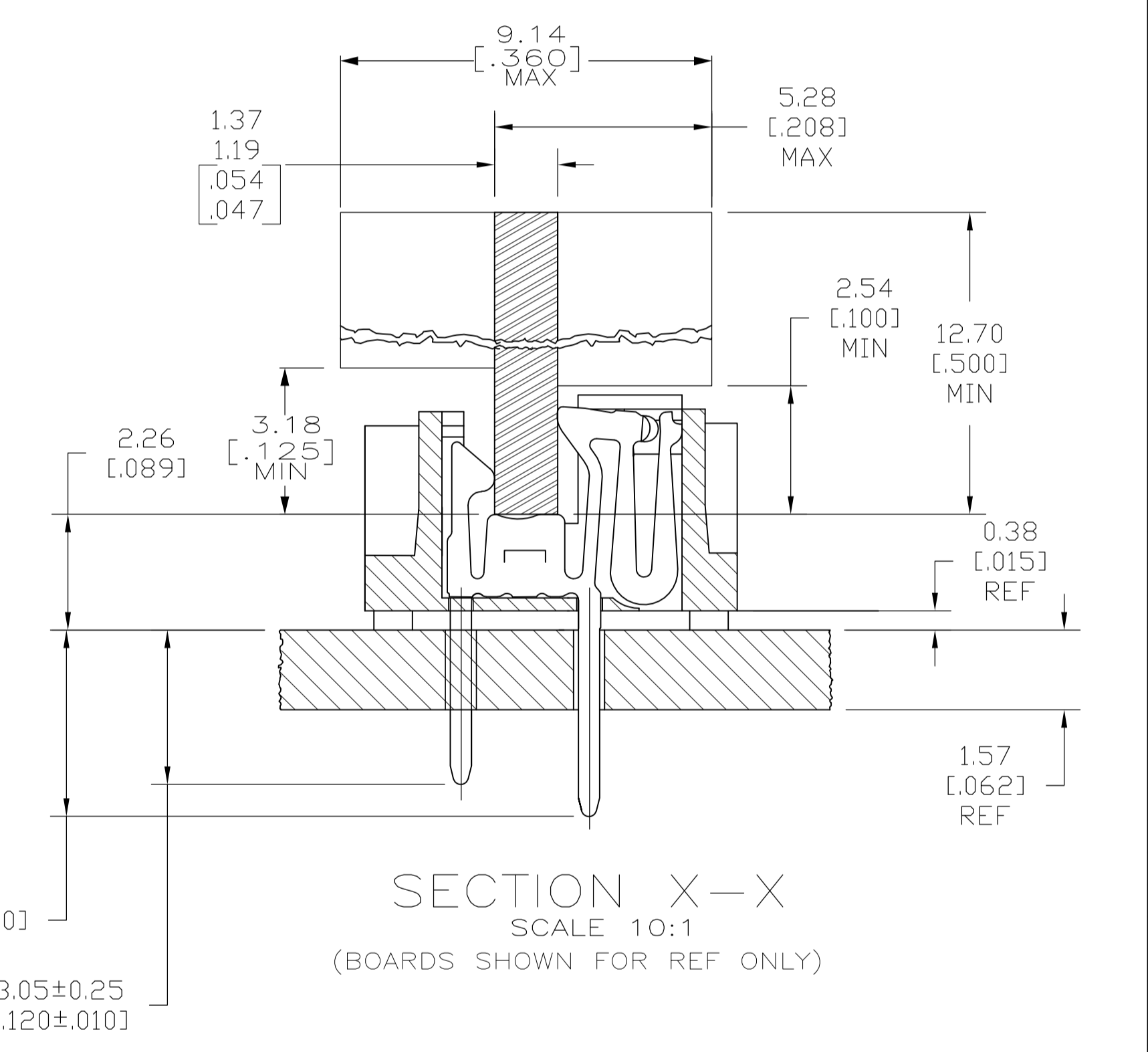


| LOC | | DIST | | REVISIONS | | | |
|-----|-----|---------------------------|---------|-----------|------|--|--|
| P | LTR | DESCRIPTION | DATE | DN | APVD | | |
| B1 | | REVISED PER ECO-11-005033 | 31MAR11 | RK | HMR | | |



- △ HOUSING-MATERIAL : LIQUID-CRYSTAL-POLYMER.
- △ CONTACT-MATERIAL : PHOS. BRONZE.
- △ LATCH-MATERIAL : BRASS, NICKEL PLATE.
- △ CONTACT-PLATE: 0.00508[.000200] MIN MATTE TIN OVER 0.00127 [.000050] MIN NICKEL.
- 5. IN ADDITION TO THOSE RECOMMENDED "SIMM" P.C. BOARD DIMENSIONS AND TOLERANCES SHOWN, ALL JEDEC SPECIFICATIONS APPLY AS SHOWN ON MO-116, ISSUE A.
- 6. RECOMMENDED MATING S.I.M.M. TAB METALLURGY: BASE METAL-COPPER. PLATING TO BE 0.00762[.000300] MIN TIN/LEAD OVER 0.00127[.000050] MIN NICKEL.
- △ DATE CODE: (YEAR WEEK) XXXX FORMAT, LOCATED APPROXIMATELY AS SHOWN ON OPPOSITE SIDE.



| WITH CENTER POST | G | F | E | D | C | B | A | NO. OF POSN | PART NO |
|------------------|---------------|---------------|--------------|--------------|---------------|---------------|----|-------------|---------|
| 3.68[.145] | 118.11[4.650] | 111.35[4.384] | 60.96[2.400] | 49.53[1.950] | 125.73[4.950] | 105.41[4.150] | 80 | 5822030-4 | |
| 3.68[.145] | 107.95[4.250] | 101.19[3.984] | 55.88[2.200] | 44.45[1.750] | 115.57[4.550] | 95.25[3.750] | 72 | 5822030-3 | |

| | | | | | |
|---|--|---|--|--|--|
| THIS DRAWING IS A CONTROLLED DOCUMENT. | | DIN S. WAITMAN SJANOS | | TE Connectivity | |
| DIMENSIONS: mm [INCHES] | | TOLERANCES UNLESS OTHERWISE SPECIFIED: | | APVD M.YFOMANS | |
| 0 PLC ± - 1 PLC ± - 2 PLC ± - 3 PLC ± 0.1[.005] 4 PLC ± - ANGLES ± - | | 0 PLC ± - 1 PLC ± - 2 PLC ± - 3 PLC ± 0.1[.005] 4 PLC ± - ANGLES ± - | | PRODUCT SPEC - APPLICATION SPEC - WEIGHT - CUSTOMER DRAWING | |
| MATERIAL | | FINISH | | SIZE A1 CAGE CODE 00779 DRAWING NO. 5822030 SCALE 4:1 SHEET 1 OF 1 REV B1 | |