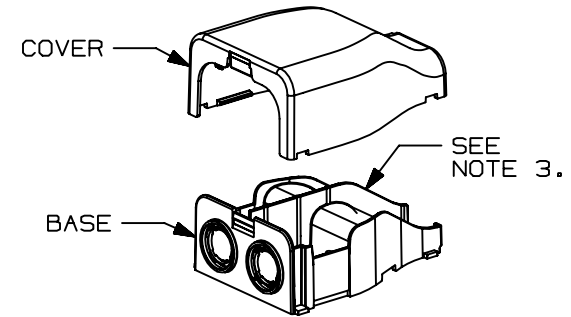
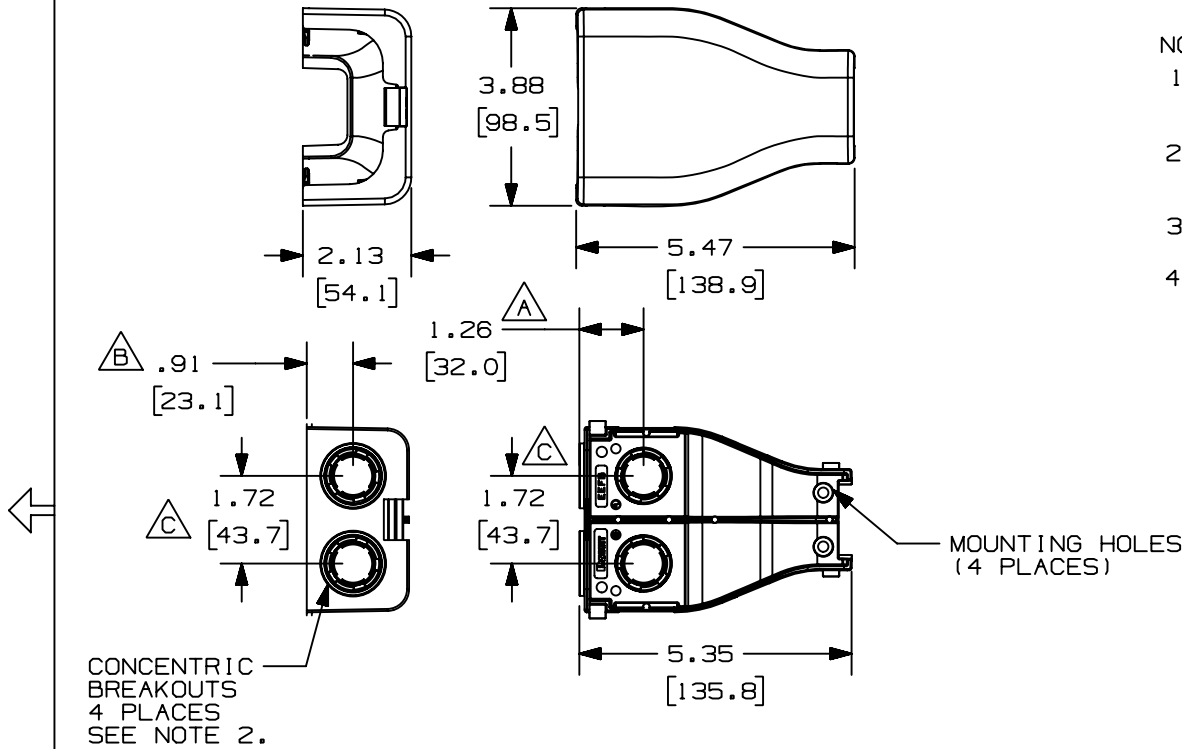


THIS COPY IS PROVIDED ON A RESTRICTED BASIS AND IS NOT TO BE USED IN ANY WAY DETRIMENTAL TO THE INTERESTS OF PANDUIT CORP.

PANDUIT P/N	WEIGHT
EEFX	3.9 LB/10 PCS (1765 g/10 PCS)

NOTES:

1. SEE CURRENT CATALOG FOR ADDITIONAL PART SUFFIXES TO INDICATE COLOR AND OR PACKAGE QUANTITY.
2. CONCENTRIC BREAKOUTS TO ACCOMMODATE CONDUIT SIZES OF 1/2" AND 3/4" DIAMETERS.
3. DIVIDER WALL FOR MAINTAINING POWER AND DATA ENTRY SEPARATION.
4. DIMENSIONS IN PARENTHESES ARE IN METRIC.



CAD FILENAME/LAYERS D36626B1_DC_EEFX_LD2P10_01

PANDUIT CORP. TINLEY PARK, ILLINOIS
LD2P10 ENTRANCE END FITTING (EEFX)
CUSTOMER DRAWING

UNLESS OTHERWISE SPECIFIED, DIMENSIONAL TOLERANCES ARE:
(.X) ± (.XX) ±
(.XX) ±.03(.8) ANGLES ±

UNLESS OTHERWISE SPECIFIED, ALL DIMENSIONS ARE GIVEN IN INCHES, THIRD ANGLE PROJECTION.

REV	DATE	BY	CHK	DESCRIPTION	ECN	CHK	CUST	SUP
-	-----	----	----	C. ADDED 1.72 DIMENSION	36626-04	---	---	
1	01-26-00	JHNU	HIW	B. ADDED .91 DIMENSION A. ADDED 1.26 DIMENSION	36626-04	HIW	HIW	
R	05-06-98	DW	HIW	RELEASED TO PRODUCTION.	36626-04	HIW	HIW	

DRAWN BY DW	MAT'L: PVC
DATE 05-06-98	
CHECKED BY HIW	

SCALE NONE	DWG A
DRAWING NO. 36626-04	SIZE