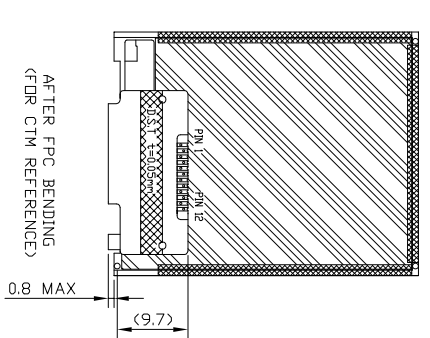
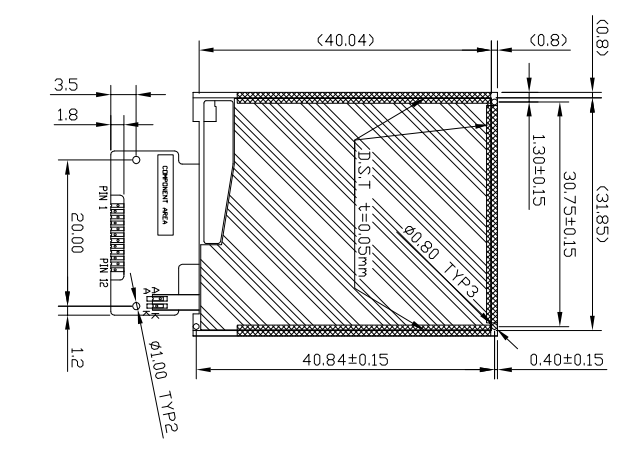
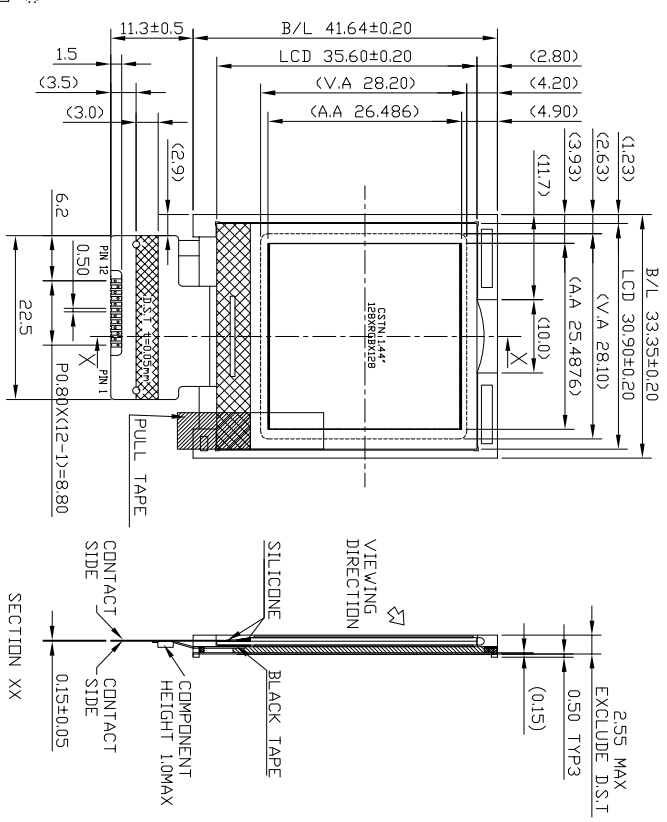
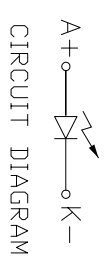


The information contained in this document is proprietary to VARRITRONIX LTD. and shall be protected from any reproduction in part or as a whole without Varritronix's written approval.



PINS ASSIGNMENT:

1	VSS
2	LED K
3	LED A
4	VSS
5	/RESET
6	AD
7	SDA
8	SCK
9	VDDA
10	VDDID
11	/CS
12	VSS



DETAIL A
(FOR REFERENCE ONLY)

0.207	RGB
0.167	RGB
0.0564	RGB
0.0564	RGB

- NOTES:**
1. ◊ : SPECIAL CHARACTERISTIC
 2. + : SAFETY CHARACTERISTIC
 3. ∇ : CRITICAL DIMENSION
 4. (..): REFERENCE DIMENSION

DISPLAY TYPE	CSTN65K
DISPLAY RESOLUTION	128 X RGB X128
VIEWING ANGLE	6.0CLOCK
LCD CONTROLLER/DRIVER	56B3306
LOGIC VOLTAGE/ANALOGIC	-2.8V~2.8V
OPERATING TEMPERATURE	-20°C TO +70°C
STORAGE TEMPERATURE	-30°C TO +80°C
TYPE	LEDUS
COLOR	White
COORDINATE	-
DRIVING VOLTAGE	-3.2V@2mA
LUMINANCE (cd/m²)	Min: 2500
ON THE BACKLIGHT SURFACE	Max: -

VARRITRONIX LIMITED

TITLE: SPECIFICATION OF MODULE			
PROJECT NO: COG-C144MVG1-08			
CUSTOMER NO:	N/A		
TOLERANCE UNLESS OTHERWISE SPECIFIED:	XX ±0.3 XXX ±0.1		
DIMENSIONS IN MM			
MATERIAL: N/A	FINISH: N/A		
SCALE: DO NOT ON SCALE	OVERALL THK: N/A		
THIRD ANGLE PROJECTION			
DRAWN:	NAME	SIGN	DATE
CHECKED:	ANNA HE		09.11.25
APPROVED:	CALM ZHONG		
	REDSUN ZHANG		
ITEM NO.: COG-C144MVG1-08			
DESCRIPTION: COG-C144MVG1-08			
FILE NO: COG-C144MVG1-08 REV: 0			
SHEET	1	OF	1

ISSUE	AMENDMENT	DATE