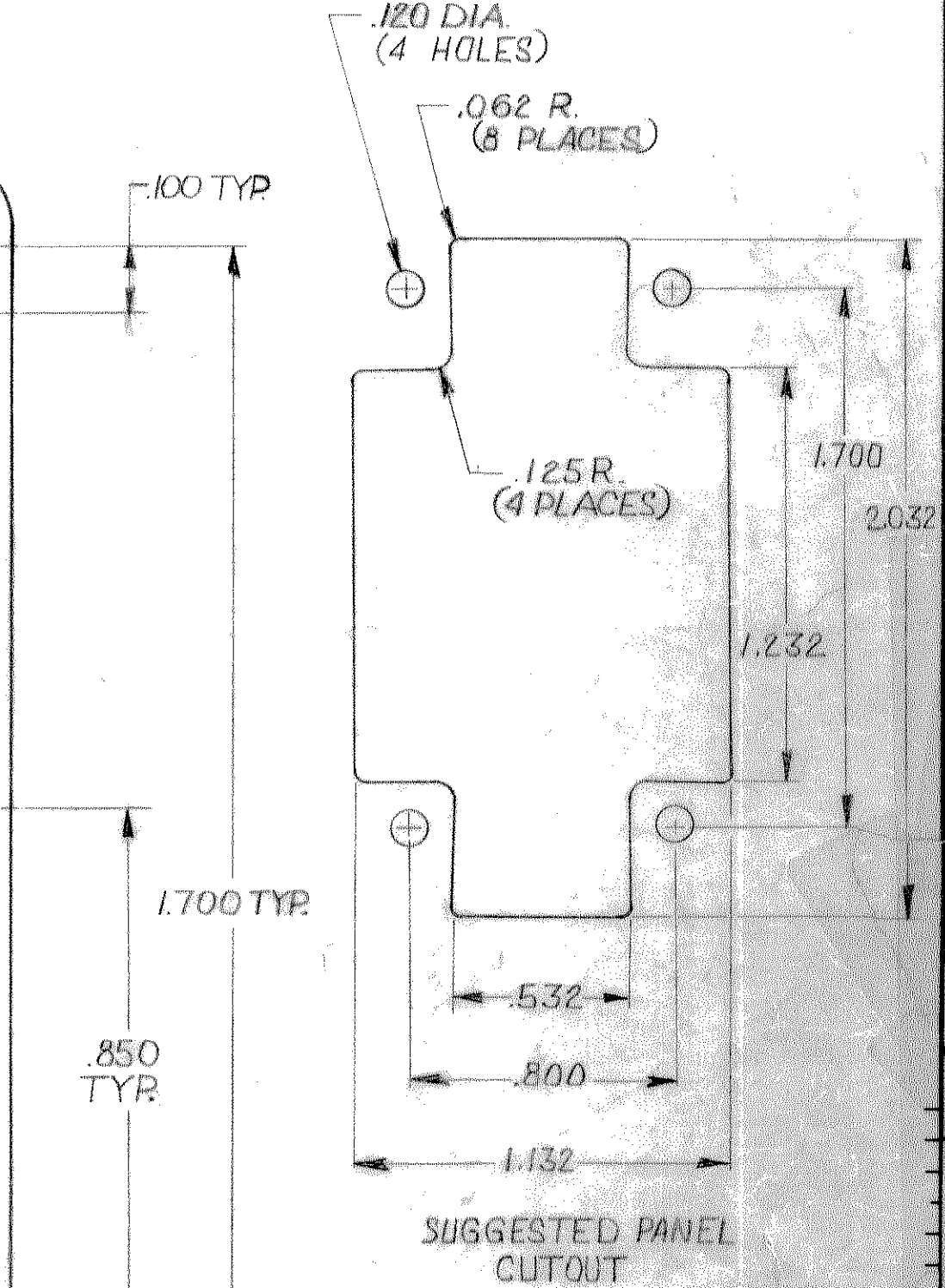
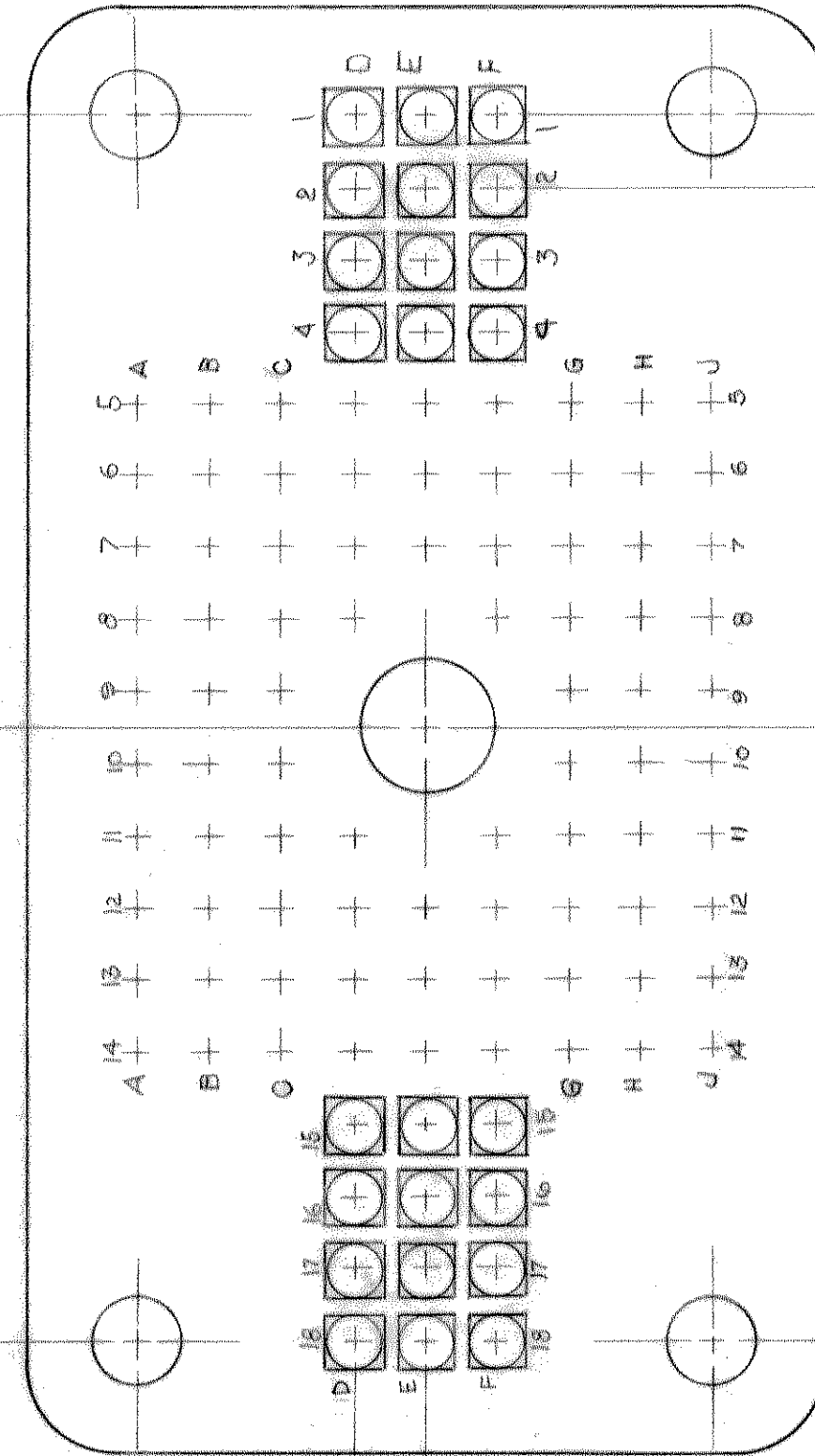
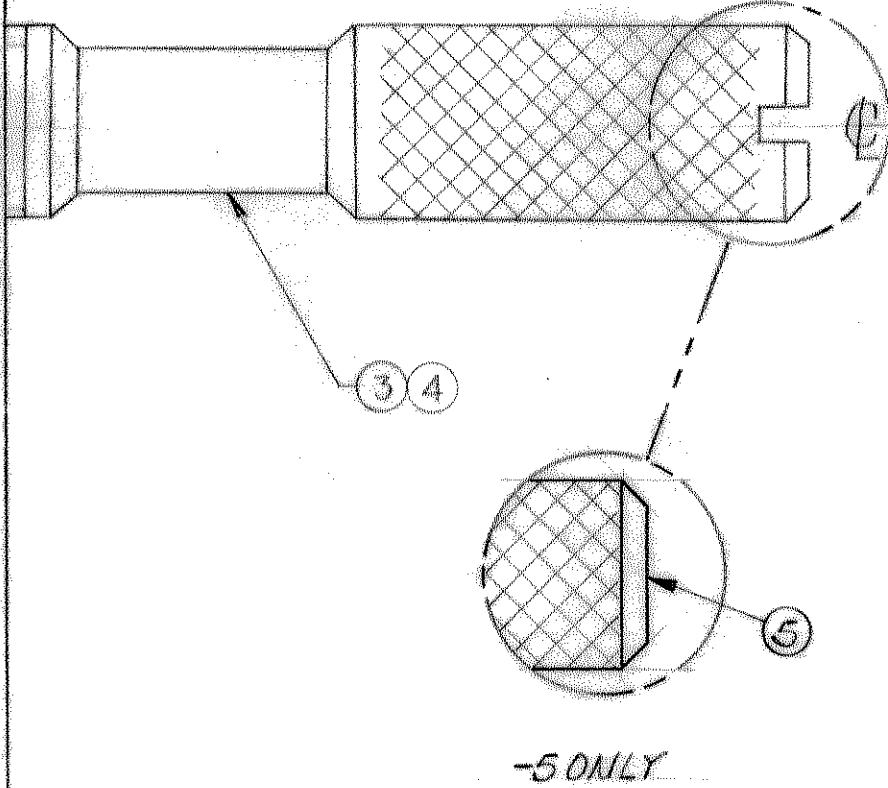
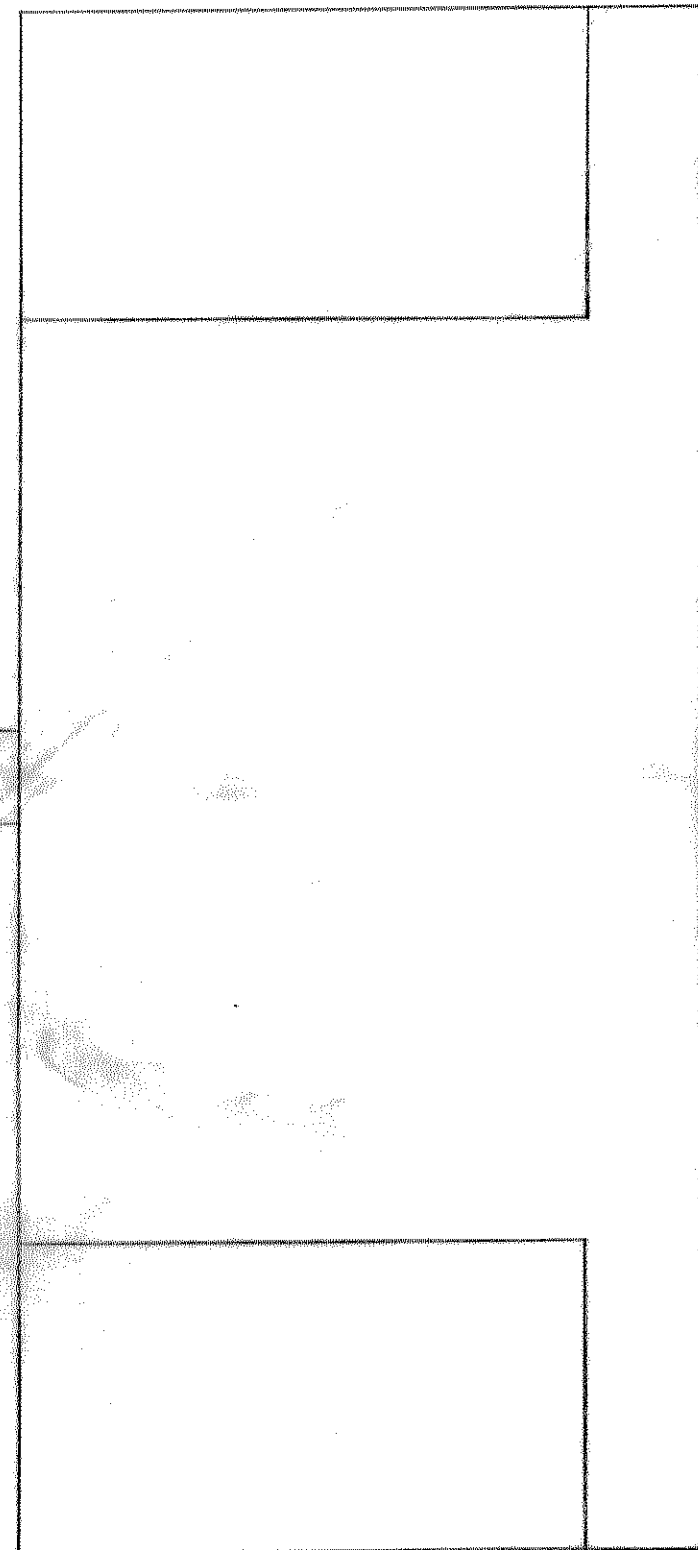


© 1969 BY AMP INCORPORATED. ALL RIGHTS RESERVED. AMP PRODUCTS COVERED BY PATENTS AND/OR PATENTS PENDING.

REVISIONS				
ZONE	LTR	DESCRIPTION	DATE	APPROVED
	A	REVISED PER ECN A-348	2-16-70	SM/SBS
	B	ADDED -S PER ECN G-225	5-11-79	SM/SBS
	C	OBS -3 PER ECN DF-0364	11-18-88	SM
	D	REV PER 0630-276-01	8-06	CT



QTY	ZONE	LTR	ITEM NO	NAME	DESCRIPTION	ITEM NO
1			A	203880-3	JACKSCREW ASSY LONG MALE	5
1			A	203880-1	JACKSCREW ASSY SHORT-MALE	4
1			A	203880-2	JACKSCREW ASSY LONG-MALE	3
1			C	204259-2	BLOCK DIALYL PHTHALATE-BLUE	2
1			C	204259-1	BLOCK PHENOLIC-BLACK	1
1			S-4-3-2-1	RECEPTACLE	RECEPTACLE	204750

UNLESS OTHERWISE SPECIFIED DIMENSIONS ARE IN INCHES TOLERANCES ON : DECIMALS ± .005 ANGLES ± #	CONTRACT NO.	AMP INCORPORATED HARRISBURG, PENNSYLVANIA		
	DR. <i>R.P. Matthews</i> 10-17-69	NAME	106 POSITION, "HDR," RECEPTACLE ASSEMBLY WITH MALE JACKSCREW	
	CHK. <i>D. Miller</i> 11-6-69	SIZE	CODE IDENT NO.	NUMBER
	APPD. <i>K. Jones</i> 11-7-69	C	00779	204750
MATERIAL	REL. <i>R. Jones</i> 11-7-69	SCALE	SHEET	
	DSGN APPD.	CUSTOMER DRAWING		
	OTHER APPD.			

LOC DF  
PRINT DIST  
CICO