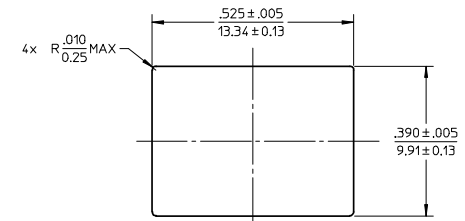
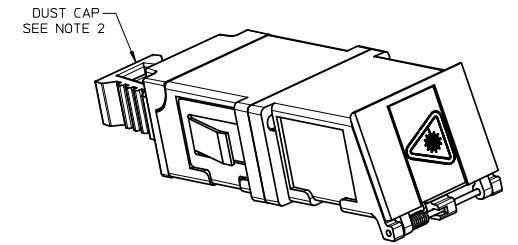
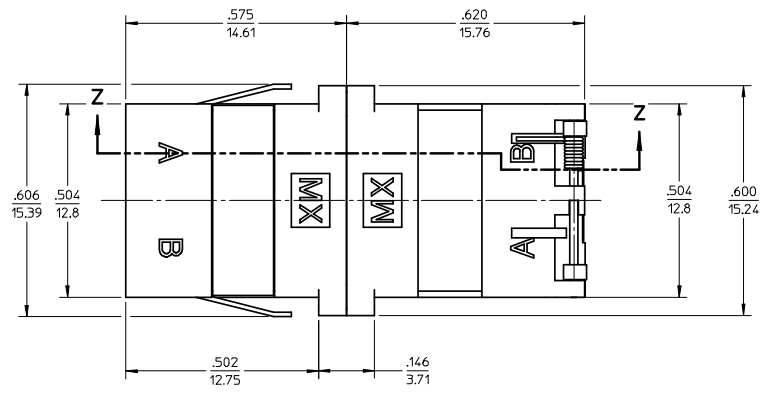
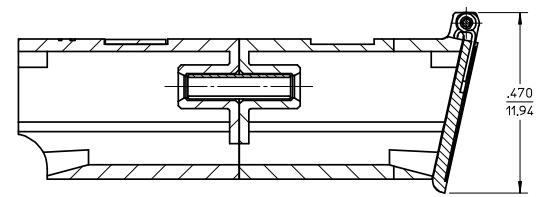
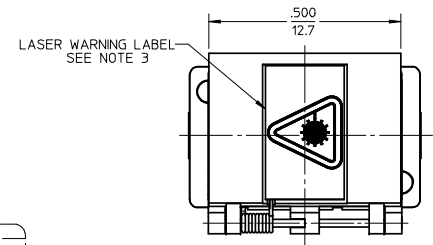
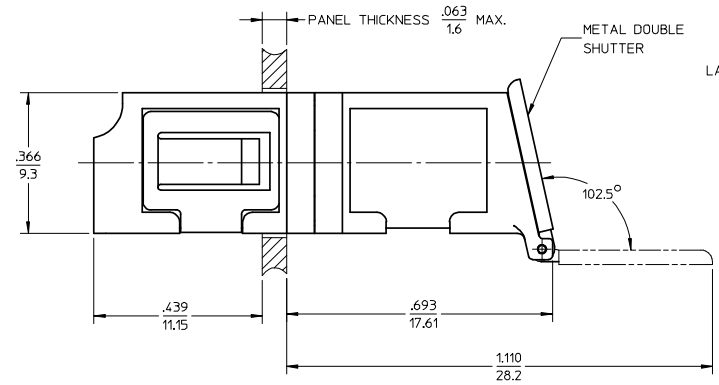
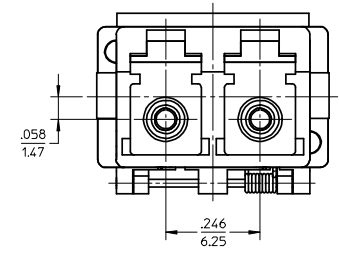


LC ADAPTER P/N	COLOR	SPLIT SLEEVE MATERIAL
106127-1407	BLUE	ZR
106127-1408	BEIGE	PH. BRONZE
106127-1421	GREEN	ZR



RECOMMENDED MOUNTING CUTOUT
 PANEL THICKNESS .063"/1.6 mm MAX.



ISO VIEW
 SCALE 3:1

- NOTES:
1. ALL DIMENSIONS ARE FOR REFERENCE.
 2. DUST CAP SHOWN IN ISO VIEW ONLY.
 3. P/N 106127-1403 SHALL BE BULK PACKED IN QUANTITY OF 100 PCS.
 4. FOR P/N 106127-1404 LASER WARNING LABEL IS SUPPLIED UNATTACHED WITH ADAPTER AND SHALL BE INSTALLED BY CUSTOMER.

ENTER DESCRIPTION EC NO: MF2008-0325 DRWN: IGUMIN 2008/02/13 CHKD: 2008/02/13 APPR: IGUMIN 2008/02/13 REV: A1	QUALITY SYMBOLS ▽=0 ▽=0	GENERAL TOLERANCES (UNLESS SPECIFIED) <table border="1"> <thead> <tr> <th></th> <th>mm</th> <th>INCH</th> </tr> </thead> <tbody> <tr> <td>4 PLACES</td> <td>± ---</td> <td>± ---</td> </tr> <tr> <td>3 PLACES</td> <td>± ---</td> <td>± ---</td> </tr> <tr> <td>2 PLACES</td> <td>± ---</td> <td>± ---</td> </tr> <tr> <td>1 PLACE</td> <td>± ---</td> <td>± ---</td> </tr> </tbody> </table>		mm	INCH	4 PLACES	± ---	± ---	3 PLACES	± ---	± ---	2 PLACES	± ---	± ---	1 PLACE	± ---	± ---	DIMENSION STYLE IN/MM	SCALE 4:1	DESIGN UNITS INCH	THIRD ANGLE PROJECTION
		mm	INCH																		
	4 PLACES	± ---	± ---																		
	3 PLACES	± ---	± ---																		
2 PLACES	± ---	± ---																			
1 PLACE	± ---	± ---																			
DRAFT WHERE APPLICABLE MUST REMAIN WITHIN DIMENSIONS		DRAWN BY IGUMIN	DATE 2008/02/11	TITLE LC DUPLEX ADAPTER, METAL DOUBLE SHUTTER SMALL FLANGE, SNAP MOUNT																	
		CHECKED BY	DATE	MOLEX INCORPORATED																	
		APPROVED BY IGUMIN	DATE 2008/02/11	DOCUMENT NO. SD-106127-14XX	SHEET NO. 1 OF 1																