

PART NO.	"A" DIA.	"B" ±.015 (±0.4)	"C" REF.	FIG. NO.
SRC-4-01	1/4 (6.4)	.26 (6.6)	.75 (19.1)	2
SRC-7-01	7/16 (11.1)	.39 (9.8)	.97 (24.7)	1
SRC-8-01	1/2 (12.7)	.43 (10.8)	1.04 (26.5)	
SRC-10-01	5/8 (15.9)	.50 (12.7)	1.18 (29.9)	

FIG. 1

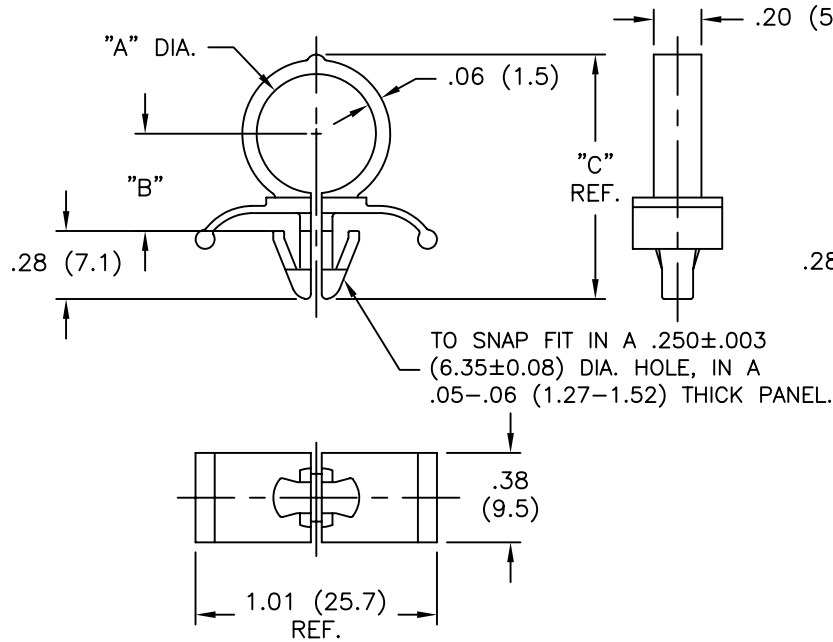
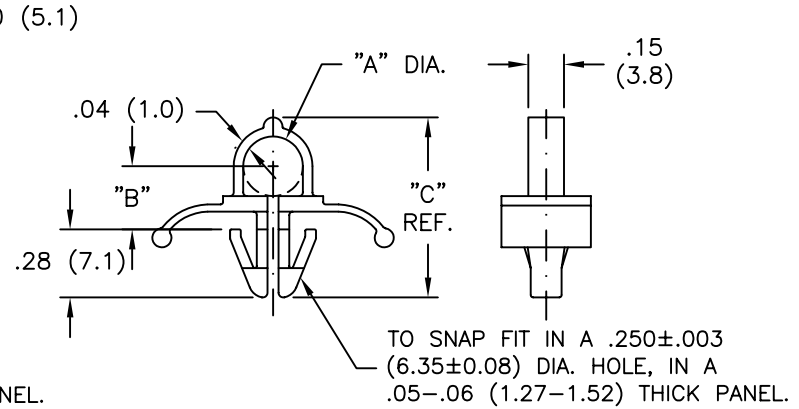


FIG. 2



NOTES:

- MAT'L: NYLON 66 (RMS-01).  
FLAME RETARDANT NYLON (RMS-19),  
AVAILABLE BY SPECIAL ORDER ONLY.
- COLOR: NATURAL  
COLOR BLACK, AVAILABLE BY SPECIAL ORDER

TITLE: SPLIT ROUTING CLIP		DWG IN IN (MM)		FINAL	
E	SEE ECN #745 FOR CHANGES	SM 01.16.04	TOLERANCES UNLESS NOTED	FILE # SRC	DWN: P.B.
D	ADDED FLAME RET. NOTE IN NOTE 1	SJ 03.05.02	.XX=±.010	MAT'L: SEE NOTES	DT: 05-02-95
C	CHANGED FILE NO. AND TITLE BLOCK	SM 02.26.02	.XXX=±.005	RE: RICHCO, INC.	DT:
B	ADDED FIG#2 AND SRC-4	JB 11.28.95	FRAC=±1/64	ANG=±1'	APP: RICHCO INC.
A	CONVERTED TO ACAD	PB 05.02.95			PO BOX 804238, CHICAGO, 60680
REV	DESCRIPTION	ENGR DATE			(773) 539-4060
				PART #	PRINT TYPE
				SEE TABLE	CA