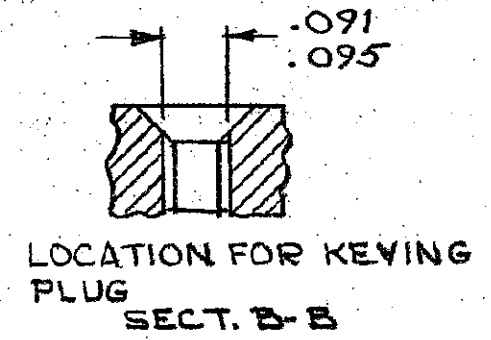
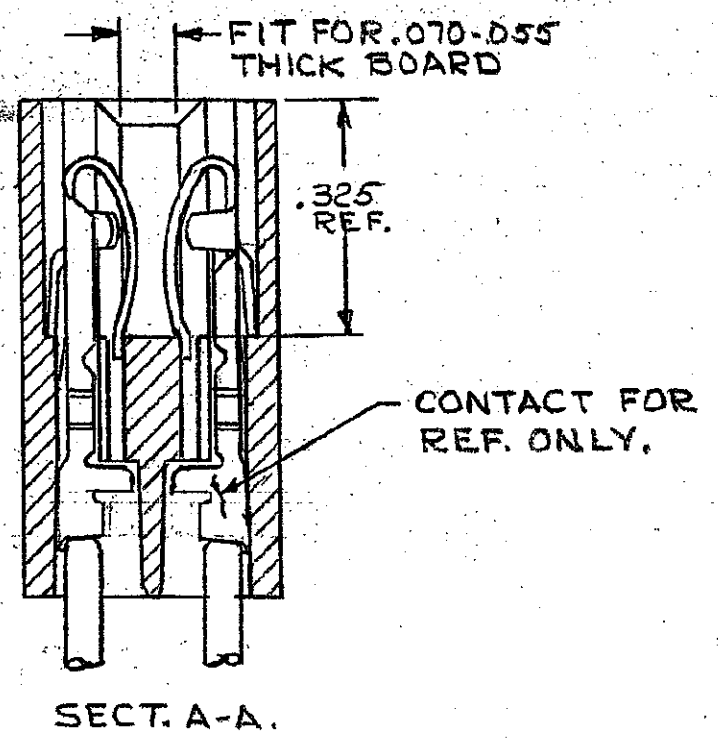
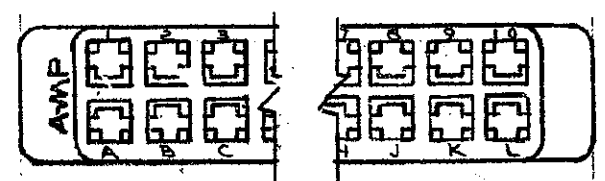
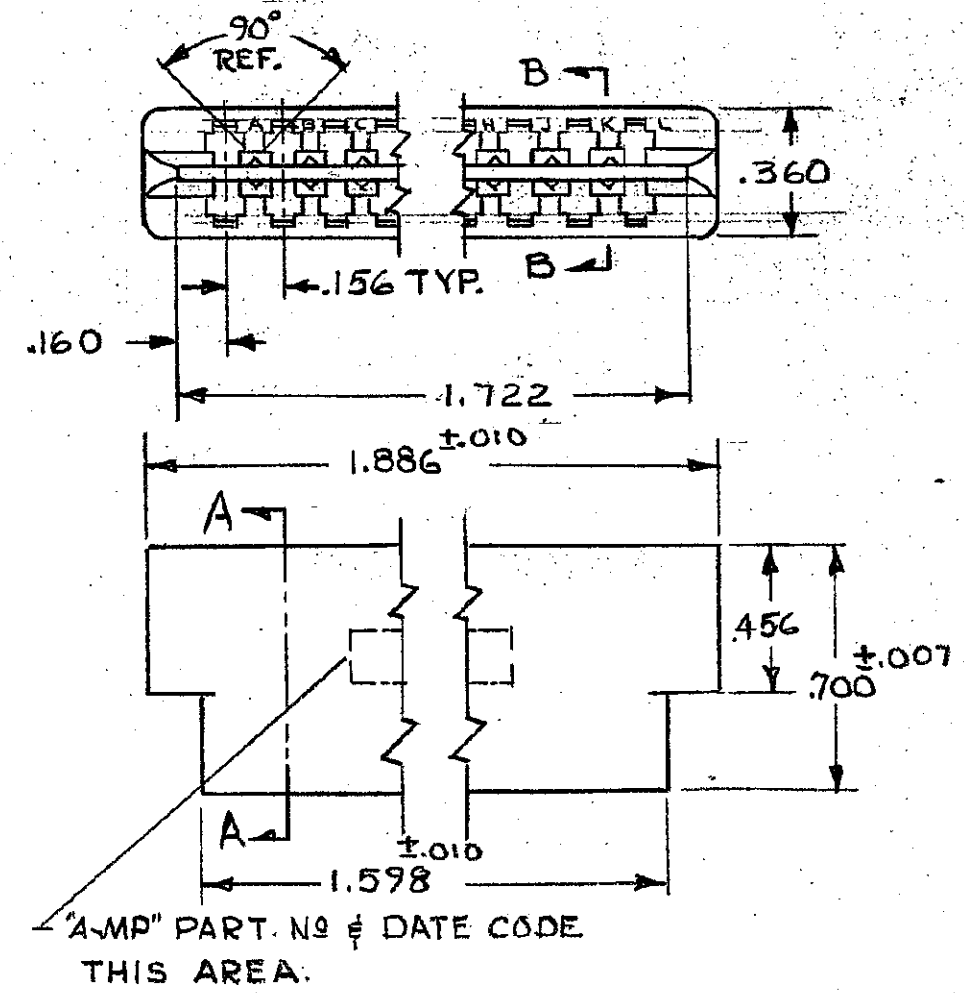


NUMBER 583280

© 1967 BY AMP INCORPORATED. ALL RIGHTS RESERVED. AMP PRODUCTS COVERED BY PATENTS AND/OR PATENTS PENDING.

583280-1, I. AS SHOWN

ZONE		LTR		DESCRIPTION	DATE	APPROVED
		0		RELEASED WAS 5112-162 (cpm)	5-9-67	J.H.
✓	A			REV PER EC 0320-349-97	26 MAR 97	NS



A

C

B

UNLESS OTHERWISE SPECIFIED DIM. ARE IN INCHES. TOLERANCES ON DECIMALS ±.005 ANGLES ± #		CONTRACT NO.		AMP INCORPORATED HARRISBURG, PENNSYLVANIA	
MATERIAL PHENOLIC		DR Thunble 3-28-67		NAME 10 POS. AMP LEAF HOUSING WITHOUT MOUNTING EARS.	
HEAT TREAT H		CHK J.S. Heide 5/9/67		SIZE B	
FINISH BLACK		APPD J. Kaufman 5/9/67		CODE IDENT NO. 00779	
LOC FI		PRINT DIST 01/22		NUMBER 583280	
OTHER APPD R. Shawna 5/10/67		SCALE 2:1		WT. CALC. ACTUAL SHEET 1 OF 1	

CUSTOMER DRAWING