

## MDSTB 2,5/20-G1-5,08

Order No.: 1762680

The figure shows a 10-position version of the product

<http://eshop.phoenixcontact.de/phoenix/treeViewClick.do?UID=1762680>Header, Nominal current: 10 A, Nom. voltage: 250 V, Pitch: 5.08 mm,  
Number of positions: 20, Color: green, Assembly: Soldering

### Commercial data

|                          |                    |
|--------------------------|--------------------|
| EAN                      | 4017918031282      |
| Pack                     | 50 pcs.            |
| Customs tariff           | 85366990           |
| Weight/Piece             | 0.033728 KG        |
| Catalog page information | Page 175 (CC-2005) |

### Product notes

WEEE/RoHS-compliant since:  
01/01/2003

<http://www.download.phoenixcontact.com>  
Please note that the data given here has been taken from the online catalog. For comprehensive information and data, please refer to the user documentation. The General Terms and Conditions of Use apply to Internet downloads.

### Technical data

#### Dimensions / positions

|                     |          |
|---------------------|----------|
| Pitch               | 5.08 mm  |
| Dimension a         | 96.52 mm |
| Number of positions | 20       |
| Pin dimensions      | 1 x 1 mm |
| Hole diameter       | 1.4 mm   |

**Technical data**

|                                    |        |
|------------------------------------|--------|
| Insulating material group          | I      |
| Rated surge voltage (III/3)        | 4 kV   |
| Rated surge voltage (III/2)        | 4 kV   |
| Rated surge voltage (II/2)         | 4 kV   |
| Rated voltage (III/2)              | 320 V  |
| Rated voltage (II/2)               | 630 V  |
| Connection in acc. with standard   | EN-VDE |
| Nominal current $I_N$              | 10 A   |
| Nominal voltage $U_N$              | 250 V  |
| Maximum load current               | 10 A   |
| Insulating material                | PA     |
| Inflammability class acc. to UL 94 | V0     |

**Certificates / Approvals**



Certification

CB, CSA, CUL, GOST, UL, VDE-PZI

**CSA**

|                       |       |
|-----------------------|-------|
| Nominal voltage $U_N$ | 300 V |
| Nominal current $I_N$ | 10 A  |

**CUL**

|                       |       |
|-----------------------|-------|
| Nominal voltage $U_N$ | 300 V |
| Nominal current $I_N$ | 10 A  |

**UL**

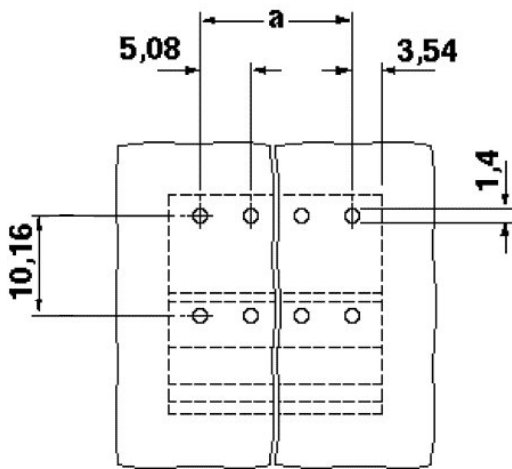
|                       |       |
|-----------------------|-------|
| Nominal voltage $U_N$ | 300 V |
| Nominal current $I_N$ | 10 A  |

| <b>Accessories</b>         |                           |   |
|----------------------------|---------------------------|---|
| Item                       | Designation               | Description   |
| <b>Assembly</b>            |                           |   |
| 1755477                    | MSTB-BL                   | Keying cap, for forming sections, plugs onto header pin, green insulating material  |
| <b>Marking</b>             |                           |   |
| 0804293                    | SK 5,08/3,8:FORTL.ZAHLEN  | Marker card, printed horizontally, self-adhesive, 12 identical decades marked 1-10, 11-20 etc. up to 91-(99)100, sufficient for 120 terminal blocks   |
| <b>Plug/Adapter</b>        |                           |   |
| 1734401                    | CR-MSTB                   | Coding section, inserted into the recess in the header or the inverted plug, red insulating material  |
| <b>Additional products</b> |                           |   |
| Item                       | Designation               | Description   |
| <b>General</b>             |                           |   |
| 1902291                    | FKCT 2,5/20-ST-5,08       | Plug component, Nominal current: 12 A, Nom. voltage: 250 V, Pitch: 5.08 mm, Number of positions: 20, Connection type: Spring-cage conn., Color: green |
| 1777468                    | FRONT-MSTB 2,5/20-ST-5,08 | Plug component, Nominal current: 12 A, Nom. voltage: 250 V, Pitch: 5.08 mm, Number of positions: 20, Connection type: Screw connection, Color: green  |
| 1786585                    | IC 2,5/20-G-5,08          | Header, Nominal current: 12 A, Nom. voltage: 320 V, Pitch: 5.08 mm, Number of positions: 20, Assembly: Soldering                                      |
| 1786129                    | ICV 2,5/20-G-5,08         | Header, Nominal current: 12 A, Nom. voltage: 320 V, Pitch: 5.08 mm, Number of positions: 20, Color: green, Assembly: Soldering                        |
| 1757190                    | MSTB 2,5/20-ST-5,08       | Plug component, Nominal current: 12 A, Nom. voltage: 250 V, Pitch: 5.08 mm, Number of positions: 20, Connection type: Screw connection, Color: green  |
| 1808997                    | MSTBC 2,5/20-ST-5,08      | Plug component, Nominal current: 12 A, Nom. voltage: 320 V, Pitch: 5.08 mm, Number of positions: 20, Connection type: Crimp connection, Color: green  |
| 1809682                    | MSTBC 2,5/20-STZ-5,08     | Plug component, Nominal current: 12 A, Nom. voltage: 320 V, Pitch: 5.08 mm, Number of positions: 20, Connection type: Crimp connection                |
| 1769191                    | MSTBP 2,5/20-ST-5,08      | Plug component, Nominal current: 12 A, Nom. voltage: 250 V, Pitch: 5.08 mm, Number of positions: 20, Connection type: Screw connection, Color: green  |

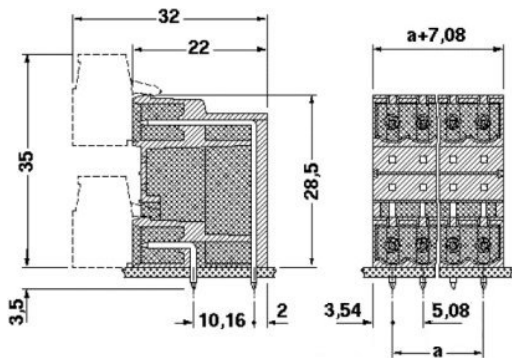
|         |                       |  |
|---------|-----------------------|--|
| 1792427 | MVSTBR 2,5/20-ST-5,08 | Plug component, Nominal current: 12 A, Nom. voltage: 250 V, Pitch: 5.08 mm, Number of positions: 20, Connection type: Screw connection, Color: green |
| 1792935 | MVSTBW 2,5/20-ST-5,08 | Plug component, Nominal current: 12 A, Nom. voltage: 250 V, Pitch: 5.08 mm, Number of positions: 20, Connection type: Screw connection, Color: green |
| 1850592 | SMSTB 2,5/20-ST-5,08  | Plug component, Nominal current: 12 A, Nom. voltage: 250 V, Pitch: 5.08 mm, Number of positions: 20, Connection type: Screw connection, Color: green |

**Diagrams/Drawings**

Drilling plan/solder pad geometry



Dimensioned drawing



**Address**

PHOENIX CONTACT Inc., USA  
586 Fulling Mill Road  
Middletown, PA 17057, USA  
Phone (800) 888-7388  
Fax (717) 944-1625  
<http://www.phoenixcon.com>



© 2010 Phoenix Contact  
Technical modifications reserved;