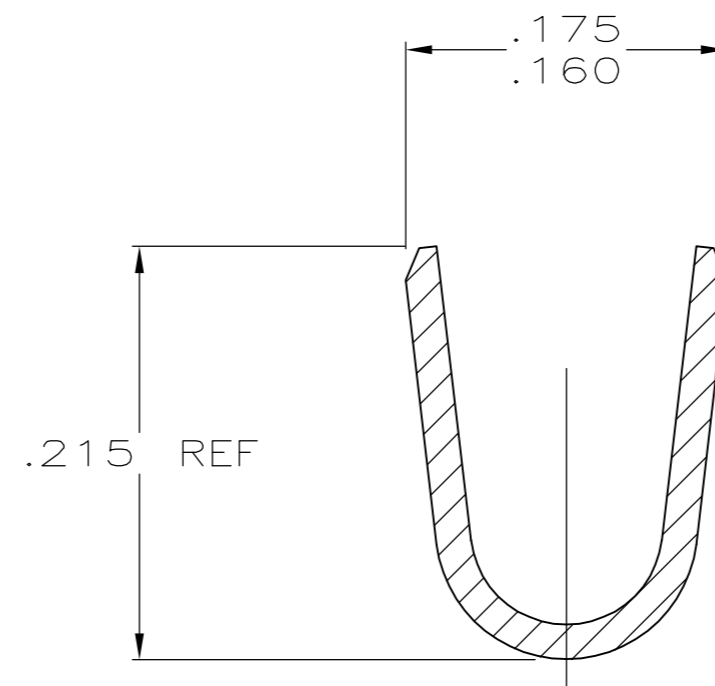
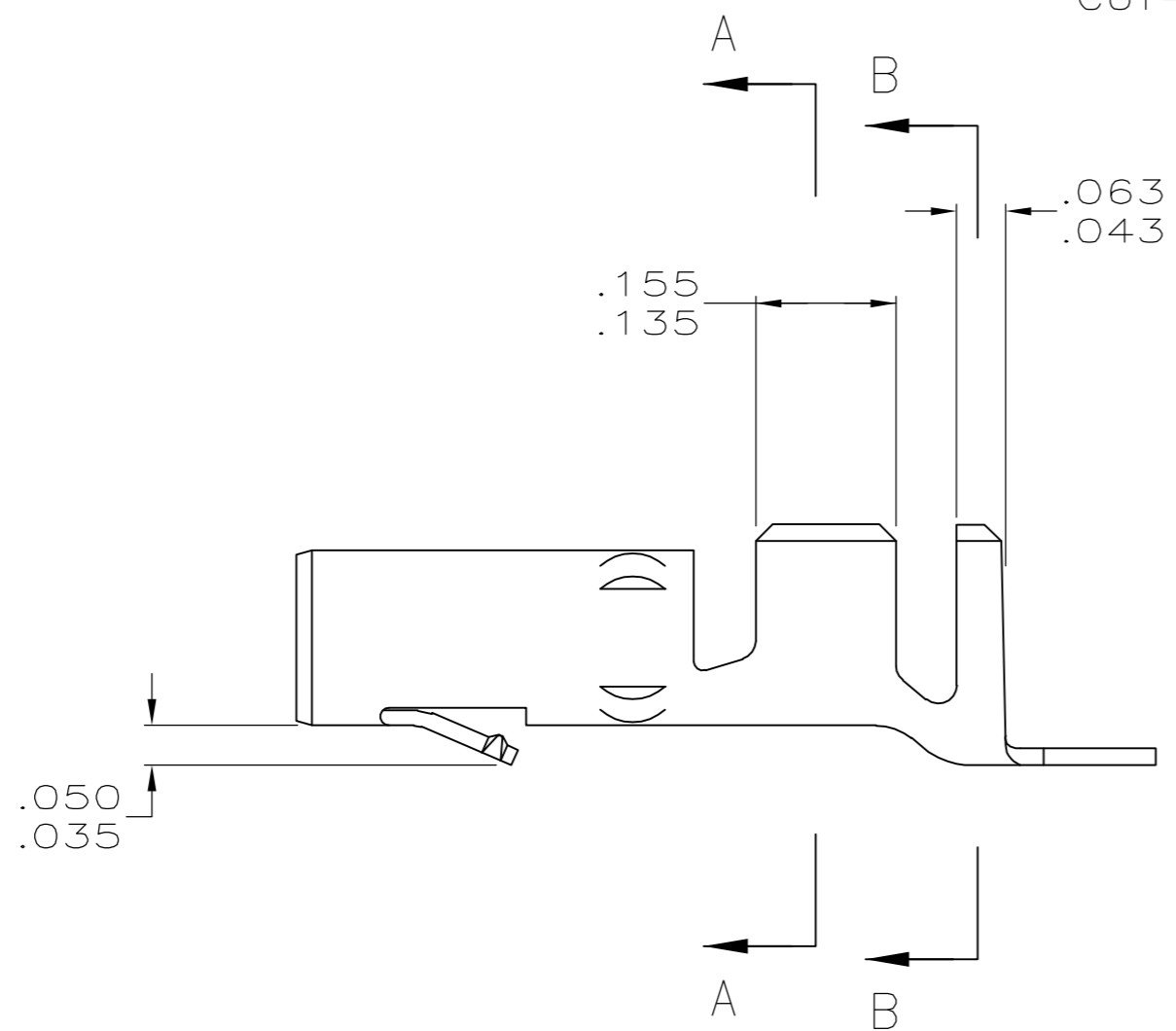
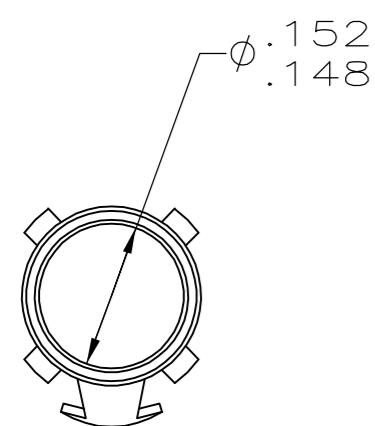
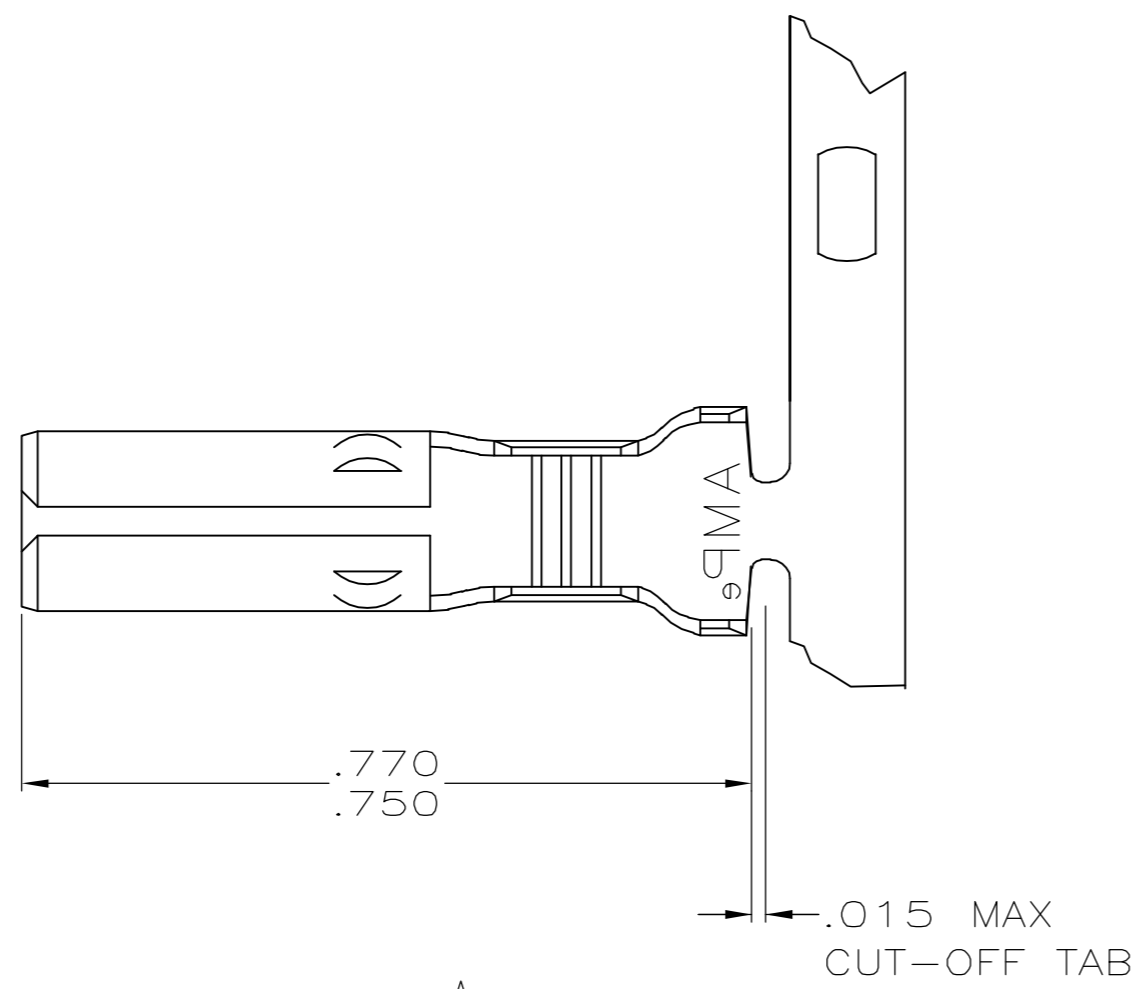


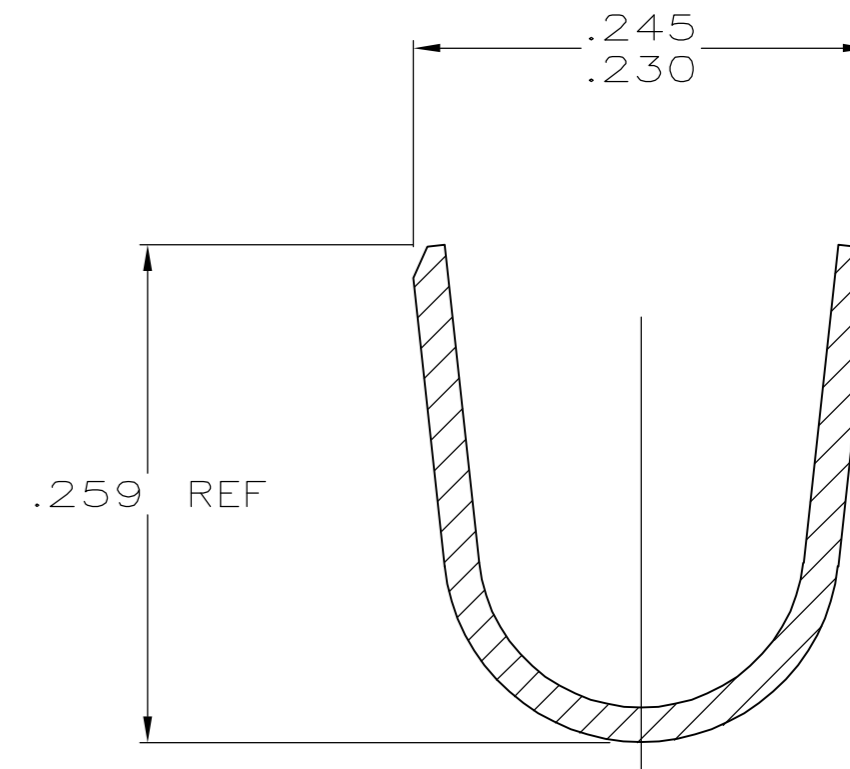
THIS DRAWING IS UNPUBLISHED. RELEASED FOR PUBLICATION
 © COPYRIGHT BY TYCO ELECTRONICS CORPORATION. ALL RIGHTS RESERVED.

| LOC | DIST | REVISIONS | | | | | |
|-----|------|-----------|-----|--------------------------|---------|-----|------|
| CM | 0 | P | LTR | DESCRIPTION | DATE | DWN | APVD |
| | | 0 | | REVISED PER 0G3B-1161-04 | 25OCT05 | KW | DC |

1. WIRE RANGE: 12-10 (3-6mm²) AWG
 INSULATION RANGE: .185 MAX.



SECTION A-A
SCALE 10:1



SECTION B-B
SCALE 10:1

| | | |
|--------|-------------------|-----------|
| TIN | .018 COPPER ALLOY | 1586486-1 |
| FINISH | MATERIAL | PART NO |

| IN | MM | IN | MM | IN | MM | IN | MM |
|------|------|------|------|------|------|------|-------|
| .050 | 1.27 | .156 | 3.96 | .245 | 6.22 | | |
| .043 | 1.09 | .155 | 3.94 | .230 | 5.84 | | |
| .035 | 0.89 | .152 | 3.86 | .215 | 5.46 | | |
| .018 | 0.46 | .148 | 3.76 | .185 | 4.70 | .770 | 19.56 |
| .015 | 0.38 | .135 | 3.43 | .175 | 4.45 | .750 | 19.05 |
| .005 | 0.13 | .063 | 1.60 | .160 | 4.06 | .259 | 6.58 |
| IN | MM | IN | MM | IN | MM | IN | MM |

CONVERSION TABLE

METRIC

THIS DRAWING IS A CONTROLLED DOCUMENT.

| | | | |
|--------------------|--|--|---|
| DIMENSIONS: INCHES | TOLERANCES UNLESS OTHERWISE SPECIFIED: | DWN K. WHITAKER 25OCT2005 | Tyco Electronics Corporation Harrisburg, PA 17105-3608 |
| | 0 PLC ± - | CHK D. COLEY 25OCT2005 | |
| | 1 PLC ± - | APVD D. COLEY 25OCT2005 | |
| | 2 PLC ± - | NAME | |
| | 3 PLC ± .005 | PRODUCT SPEC | |
| 4 PLC ± - | APPLICATION SPEC | SOCKET, ENHANCED CURRENT, .156 MATE-N-LOK(TM) | |
| ANGLES ± ± | FINISH | SIZE A2 | CAGE CODE 00779 |
| MATERIAL SEE TABLE | SEE TABLE | DRAWING NO C=1586486 | RESTRICTED TO - |
| CUSTOMER DRAWING | | SCALE 5:1 | SHEET 1 of 1 |
| | | REV 0 | |