

PART NAME: KNOB

SCALE: 1:1

DATE: 1/31/56

DR. BY AN

DAVIES MOLDING COMPANY  
CAROL STREAM, ILLINOIS 60188

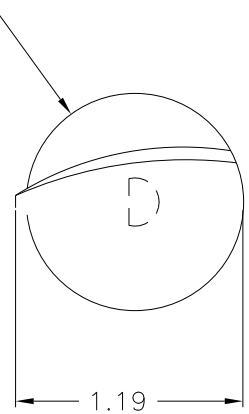
P/N 1550-A

THIS DRAWING IS THE PROPERTY OF DAVIES MOLDING COMPANY, IS SUBMITTED SOLELY AS A DESIGN OR ENGINEERING PROJECT.  
WE ACCEPT NO RESPONSIBILITY WHATSOEVER FOR THE PRACTICAL APPLICATION OF THE PIECES MADE TO THIS DESIGN.

BASE PART 1550-04

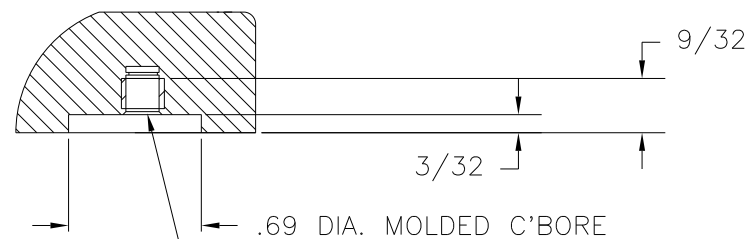
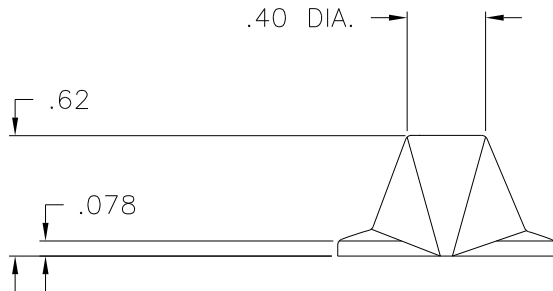
SPRING I1125

1.12 DIA.

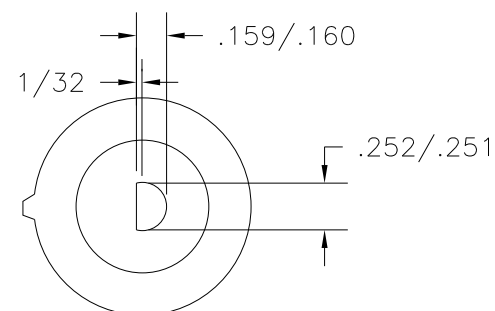


(A) (B) (C) (D)

.40 DIA.



.69 DIA. MOLDED C'BORE  
"D" SHAPED SPRING I-1125A,  
MOUNTED TO FIT 1/4 DIA. SHAFT  
FLATTED TO 5/32



MATERIAL: G.P. PHENOLIC (B11)  
COLOR: BLACK

TOLERANCES: UNLESS OTHERWISE SPECIFIED	DO NOT SCALE DRAWING
DECIMALS: X.XXX ± .005 X.XX ± .015	MM: X.XX ± 0.15MM X.X ± 0.4MM
FRACTIONS ± 1/64	ANG. ± 1°

-	UPDATED/HAD TOOLBOX	EV.	8/8/02
D	WAS I1125	JAM	3/16/01
-	CAD/REDRAWN	HD	10/28/93
C	SAC SET-UP DELETED	HD	8/26/81
B	AUTO-STOKES SET -UP ADDED	NH	5/24/74
A	WAS I-376	LSP	2/5/58

CHANGES