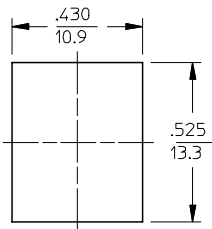
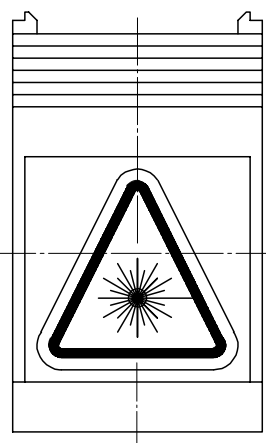


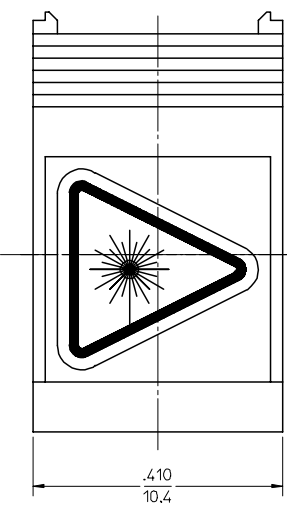
ADAPTER P/N	SPLIT SLEEVE MATERIAL	ADAPTER COLOR	METALIZED SHIELD
106170-0500	CERAMIC	BLACK	NO
106170-0520		GREEN	
106170-0529*		RED	
106170-0530		BLUE	
106170-0550		BEIGE	
106170-0554*		METALIZED	
106171-0500	PHOSPHOR BRONZE	BLACK	NO
106171-0520		GREEN	
106171-0530		RED	
106171-0550		BLUE	
106171-0551			
106171-0570			YES



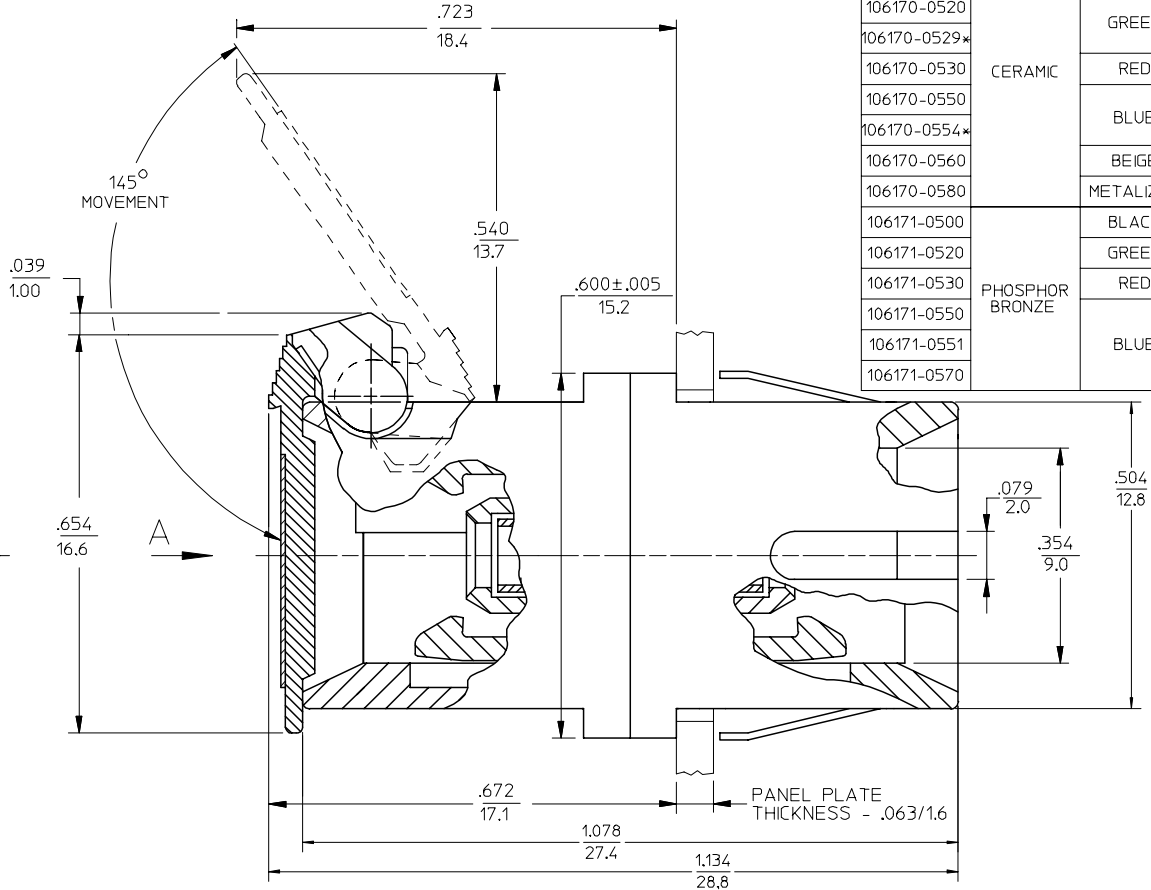
RECOMMENDED MOUNTING HOLE
(SCALE 1:4)



VIEW A
VERSION 2



VIEW A
VERSION 1



- NOTES:
1. LABEL MUST BE INSTALLED AND ORIENTED BY CUSTOMER (SEE VIEW A).
 2. DUST CAP IS NOT SHOWN, BUT INCLUDED.
 - *3. P/NS 106170-0529, 106170-0554 AND 106171-0551 ARE BULK PACKED IN QUANTITIES OF 100 PCS.

ENTER DESCRIPTION	QUALITY SYMBOLS
EC NO: MF2008-0173	▽=0
DRWN:JSZCZWK 2007/10/25	▽=0
CHKD: 2007/10/25	
APPR:IGUMIN 2007/10/25	
REV	DESCRIPTION

GENERAL TOLERANCES (UNLESS SPECIFIED)	
mm	INCH
4 PLACES ±---	±---
3 PLACES ±---	±---
2 PLACES ±---	±---
1 PLACE ±---	±---
ANGULAR ±1/2°	

DIMENSION STYLE	
IN/MM	
DRAWN BY	DATE
RPACIFICI	2005/10/13
CHECKED BY	DATE
APPROVED BY	DATE
MATERIAL NO.	DOCUMENT NO.
SEE TABLE	SD-1061XX-05X0
SIZE B	THIS DRAWING CONTAINS INFORMATION THAT IS PROPRIETARY TO MOLEX INCORPORATED AND SHOULD NOT BE USED WITHOUT WRITTEN PERMISSION

SCALE	DESIGN UNITS	THIRD ANGLE PROJECTION
5:1	INCH	☉
TITLE		
SC ADAPTER, SMALL FLANGE WITH SHUTTER		
MOLEX MOLEX INCORPORATED		
SHEET NO.		
1 OF 01		