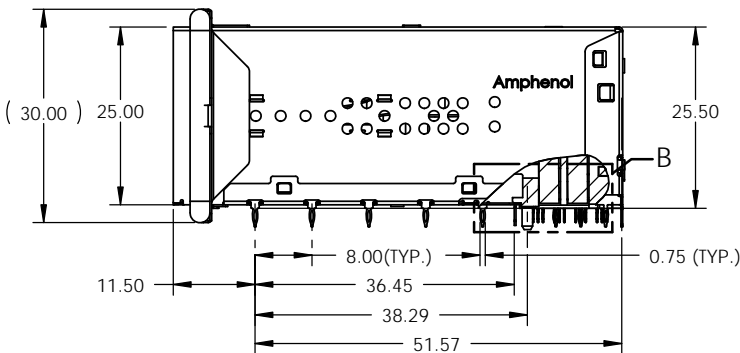
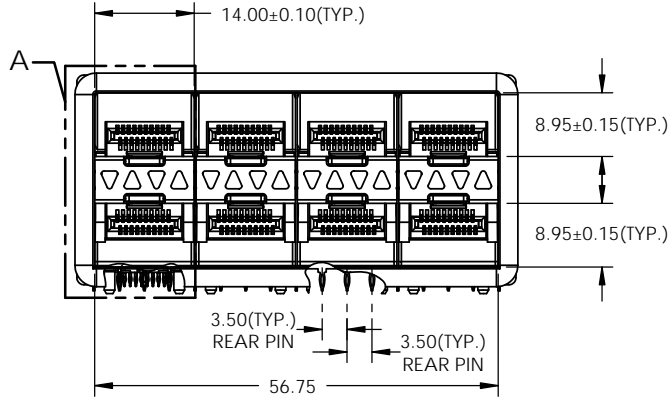
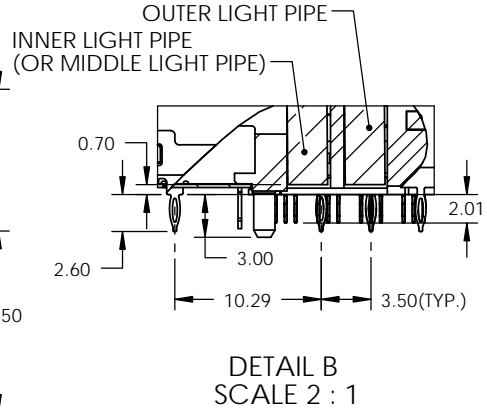
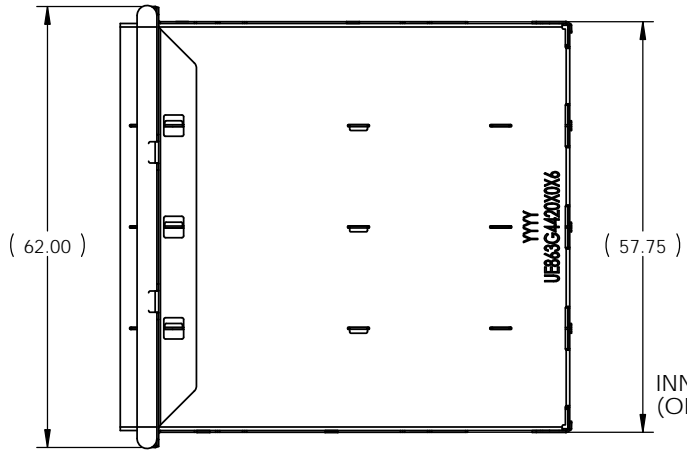
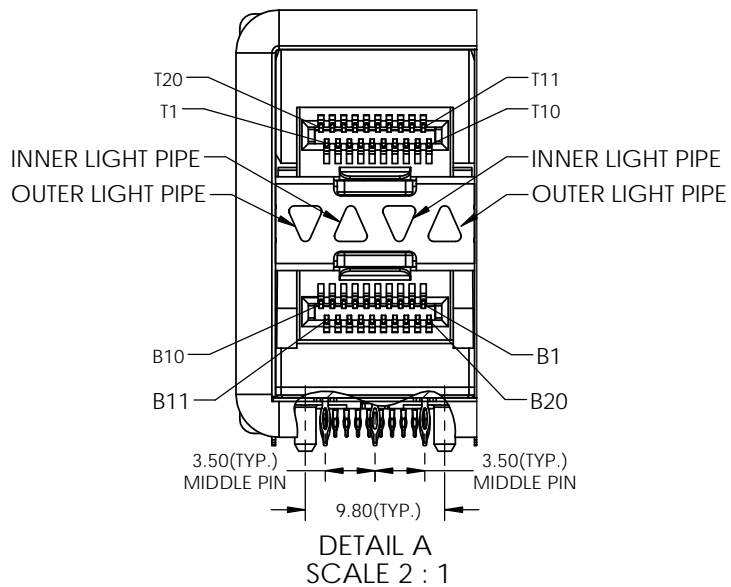


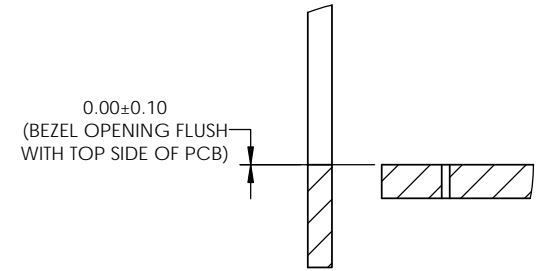
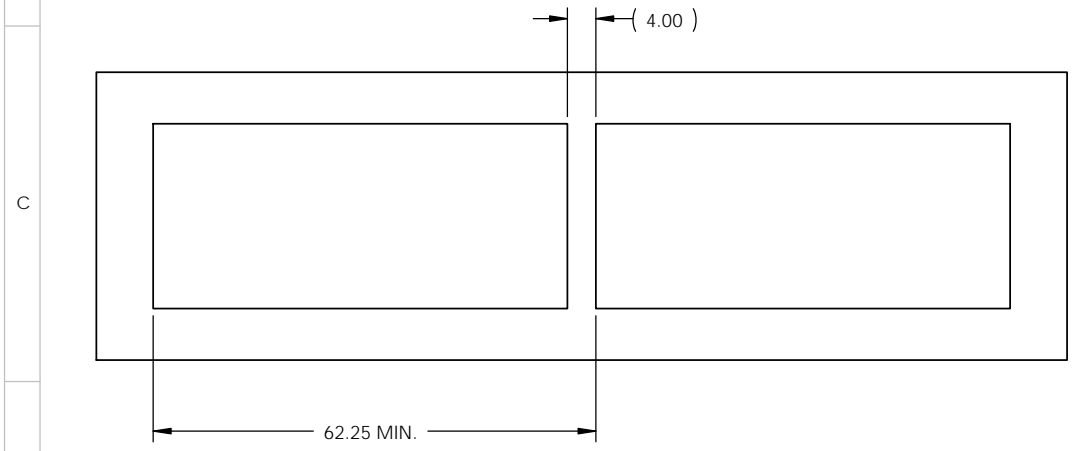
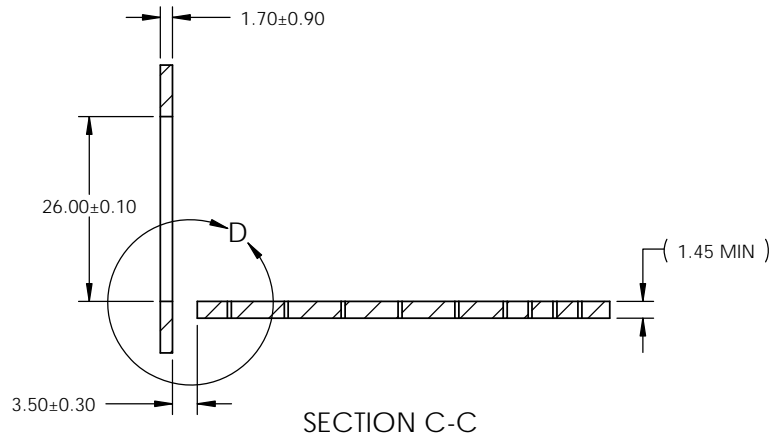
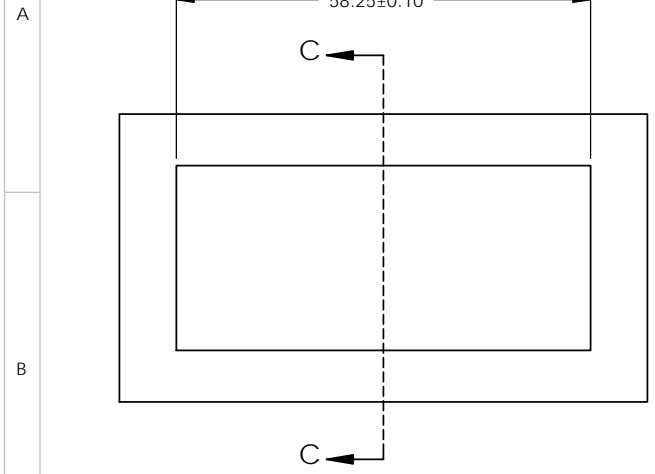
REVISIONS				
REV.	ECN NO.	DESCRIPTION	DATE	APPROVED
D		UPDATE NOTES	AUG 19/14	J.SI
E		CHANGED PCB THICKNESS	NOV 03/15	J.SI
F		REMOVED DIM. ZONE B1, SHEET 2 OF 5	OCT 31/16	J.SI



THIS DOCUMENT CONTAINS PROPRIETARY INFORMATION AND SUCH INFORMATION MAY NOT BE DISCLOSED TO OTHERS FOR ANY PURPOSE OR USED FOR MANUFACTURING PURPOSES WITHOUT WRITTEN PERMISSION FROM AMPHENOL CANADA CORP.

UNLESS SPECIFIED OTHERWISE DIMENSIONS ARE IN MILLIMETERS REFERENCE IN PARENTHESES GENERAL TOLERANCES	DRAWN P. OU CHECKED J. SI M.E. APP'D Q.A. APP'D DWG APP'D J. SI MATERIAL AND FINISH REF. ECN Exxxxx	SEP 03/13 NOV03/15	Amphenol High Speed Interconnects A Division of Amphenol Corp. www.amphenolcanada.com 2X4 SFP ULTRAPORT WITH LIGHT PIPE OPTIONS AND EMI GASKET	DWG. NO.	REV
1 DECIMAL PLACE ±0.25 2 DECIMAL PLACE ±0.15 3 DECIMAL PLACE N/A ANGULAR DEGREES ±1° ENG. REL. NO.	SEE NOTES	NOV03/15		P-UE86-3G4420-X0X61	F
UNLESS SPECIFIED OTHERWISE DIMENSIONS ARE IN MILLIMETERS REFERENCE IN PARENTHESES GENERAL TOLERANCES 1 DECIMAL PLACE ±0.25 2 DECIMAL PLACE ±0.15 3 DECIMAL PLACE N/A ANGULAR DEGREES ±1° ENG. REL. NO.			CODE ID NO. 03554 DWG SIZE: A4 SCALE: 1:1 SHEET 2 OF 5		

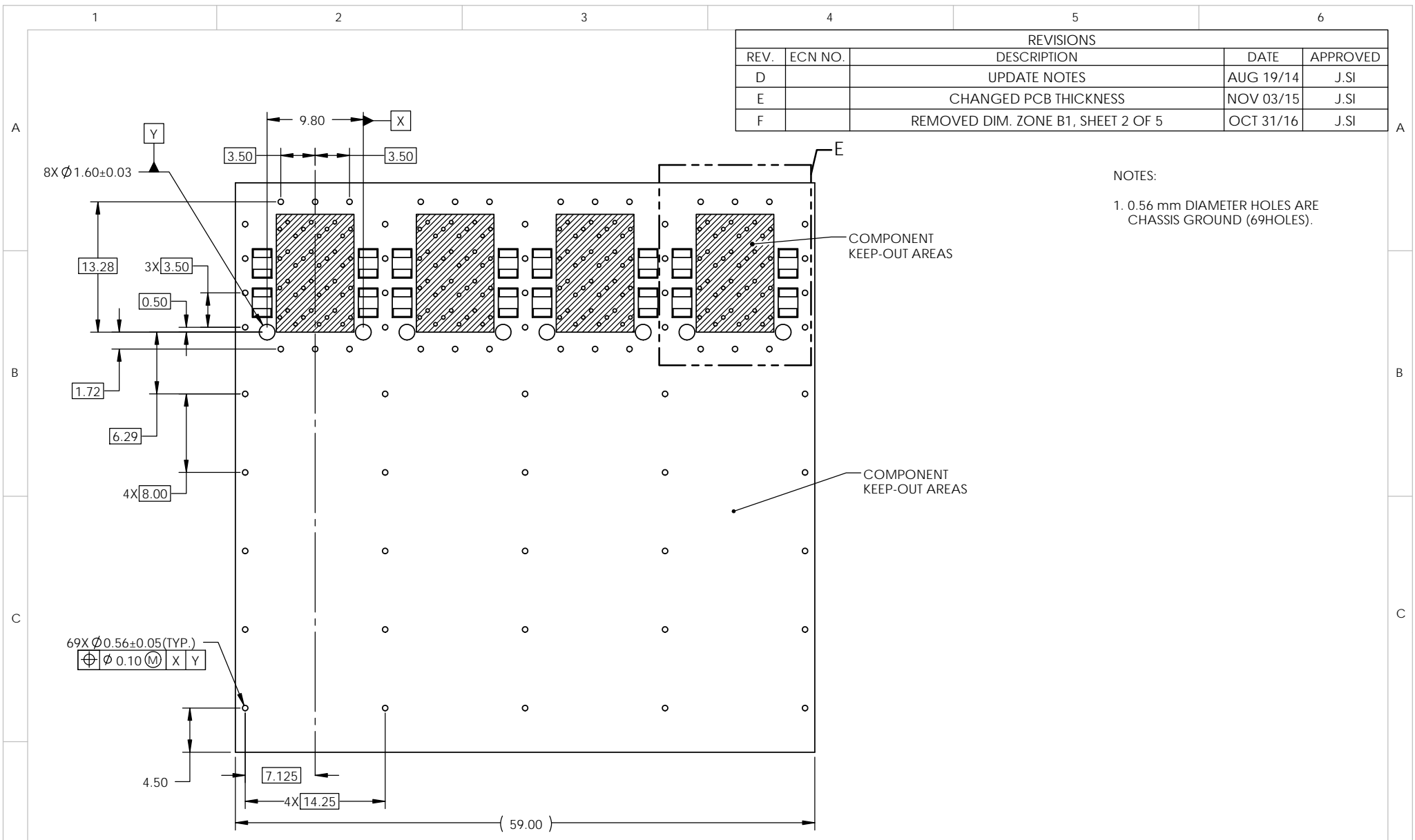
REVISIONS				
REV.	ECN NO.	DESCRIPTION	DATE	APPROVED
D		UPDATE NOTES	AUG 19/14	J.SI
E		CHANGED PCB THICKNESS	NOV 03/15	J.SI
F		REMOVED DIM. ZONE B1, SHEET 2 OF 5	OCT 31/16	J.SI



DETAIL D
SCALE 2 : 1

THIS DOCUMENT CONTAINS PROPRIETARY INFORMATION AND SUCH INFORMATION MAY NOT BE DISCLOSED TO OTHERS FOR ANY PURPOSE OR USED FOR MANUFACTURING PURPOSES WITHOUT WRITTEN PERMISSION FROM AMPHENOL CANADA CORP.

UNLESS SPECIFIED OTHERWISE DIMENSIONS ARE IN MILLIMETERS		DRAWN P. OU SEP 03/13	Amphenol High Speed Interconnects A Division of Amphenol Corp. www.amphenolcanada.com
REFERENCE IN PARENTHESES		CHECKED J. SI NOV03/15	
GENERAL TOLERANCES		M.E. APP'D	
1 DECIMAL PLACE ±0.25		Q.A. APP'D	
2 DECIMAL PLACE ±0.15		DWG APP'D J. SI NOV03/15	2X4 SFP ULTRAPORT WITH LIGHT PIPE OPTIONS AND EMI GASKET
3 DECIMAL PLACE N/A		MATERIAL AND FINISH SEE NOTES	
ANGULAR DEGREES ±1°		REF. ECN Exxxxx	DWG. NO. P-UE86-3G4420-X0X61
ENG. REL. NO.		THIRD ANGLE PROJECTION	DO NOT SCALE DRAWING
		CODE ID NO. 03554	DWG SIZE: A4
		SCALE: 1:1	SHEET 3 OF 5



REVISIONS				
REV.	ECN NO.	DESCRIPTION	DATE	APPROVED
D		UPDATE NOTES	AUG 19/14	J.SI
E		CHANGED PCB THICKNESS	NOV 03/15	J.SI
F		REMOVED DIM. ZONE B1, SHEET 2 OF 5	OCT 31/16	J.SI

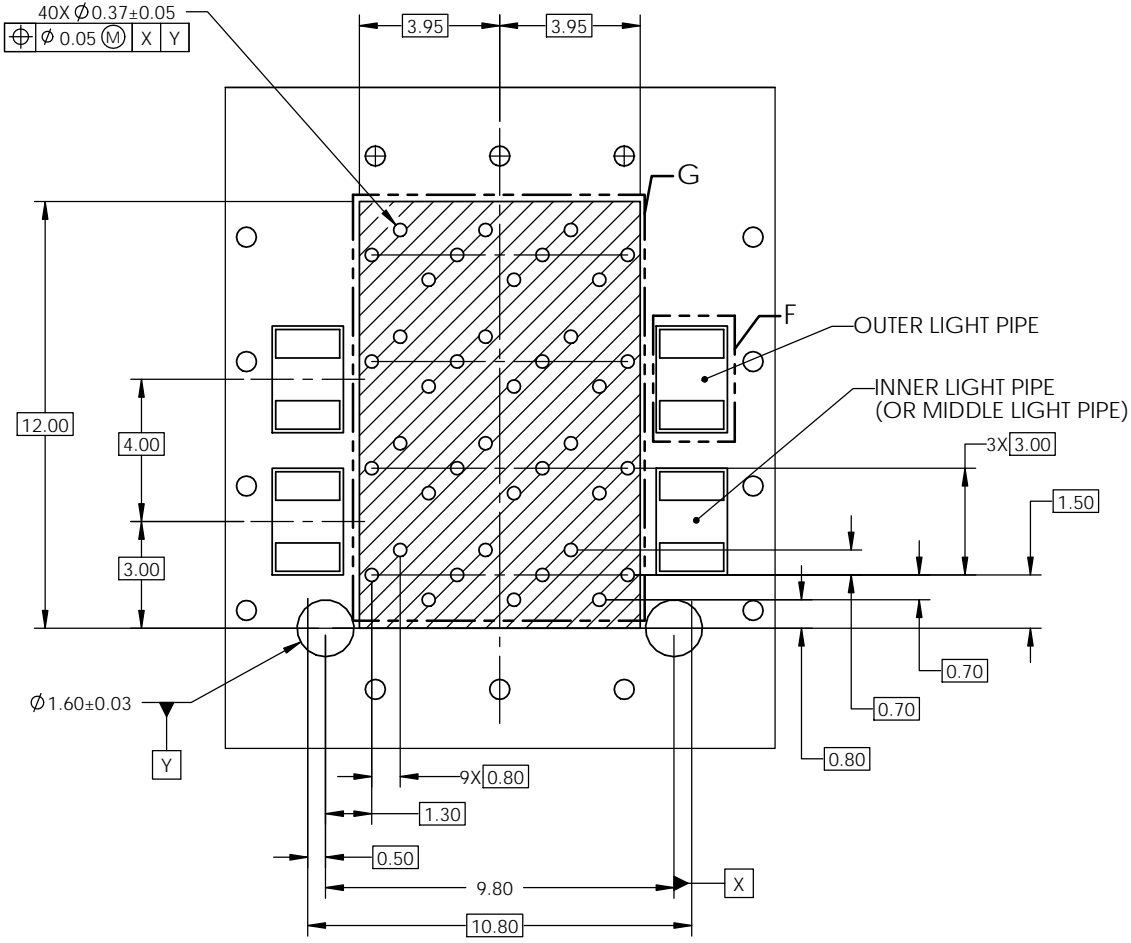
NOTES:
 1. 0.56 mm DIAMETER HOLES ARE CHASSIS GROUND (69HOLES).

2X4 PCB LAYOUT

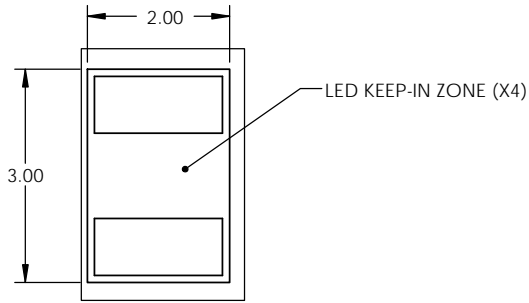
THIS DOCUMENT CONTAINS PROPRIETARY INFORMATION AND SUCH INFORMATION MAY NOT BE DISCLOSED TO OTHERS FOR ANY PURPOSE OR USED FOR MANUFACTURING PURPOSES WITHOUT WRITTEN PERMISSION FROM AMPHENOL CANADA CORP.

UNLESS SPECIFIED OTHERWISE DIMENSIONS ARE IN MILLIMETERS		DRAWN P. OU	SEP 03/13	Amphenol High Speed Interconnects A Division of Amphenol Corp. www.amphenolcanada.com 2X4 SFP ULTRAPORT WITH LIGHT PIPE OPTIONS AND EMI GASKET	DWG. NO. P-UE86-3G4420-X0X61 REV F
REFERENCE IN PARENTHESES		CHECKED J. SI	NOV03/15		
GENERAL TOLERANCES		M.E. APP'D			
1 DECIMAL PLACE ±0.25		Q.A. APP'D			
2 DECIMAL PLACE ±0.15		DWG APP'D J. SI	NOV03/15		
3 DECIMAL PLACE N/A		MATERIAL AND FINISH	SEE NOTES		
ANGULAR DEGREES ±1°		REF.	ECN Exxxxx		
ENG. REL. NO.		THIRD ANGLE PROJECTION	DO NOT SCALE DRAWING	CODE ID NO. 03554	DWG SIZE: A4 SCALE: 2:1 SHEET 4 OF 5

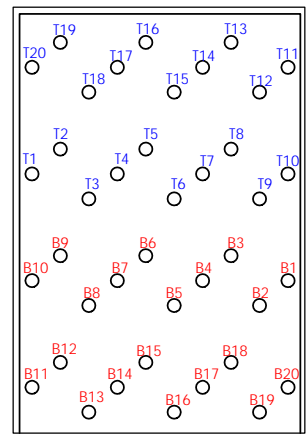
REVISIONS				
REV.	ECN NO.	DESCRIPTION	DATE	APPROVED
D		UPDATE NOTES	AUG 19/14	J.SI
E		CHANGED PCB THICKNESS	NOV 03/15	J.SI
F		REMOVED DIM. ZONE B1, SHEET 2 OF 5	OCT 31/16	J.SI



DETAIL E
SCALE 5 : 1



DETAIL F
SCALE 10 : 1



DETAIL G
SCALE 5 : 1

THIS DOCUMENT CONTAINS PROPRIETARY INFORMATION AND SUCH INFORMATION MAY NOT BE DISCLOSED TO OTHERS FOR ANY PURPOSE OR USED FOR MANUFACTURING PURPOSES WITHOUT WRITTEN PERMISSION FROM AMPHENOL CANADA CORP.

UNLESS SPECIFIED OTHERWISE		DRAWN	P. OU	SEP 03/13
DIMENSIONS ARE IN MILLIMETERS		CHECKED	J. SI	NOV03/15
REFERENCE IN PARENTHESES		M.E. APP'D		
GENERAL TOLERANCES		Q.A. APP'D		
1 DECIMAL PLACE	±0.25	DWG APP'D	J. SI	NOV03/15
2 DECIMAL PLACE	±0.15	MATERIAL AND FINISH	SEE NOTES	
3 DECIMAL PLACE	N/A	REF.	ECN Exxxxx	
ANGULAR DEGREES	±1°	THIRD ANGLE PROJECTION	DO NOT SCALE DRAWING	
ENG. REL. NO.				

Amphenol High Speed Interconnects A Division of Amphenol Corp. www.amphenolcanada.com				
2X4 SFP ULTRAPORT WITH LIGHT PIPE OPTIONS AND EMI GASKET				
DWG. NO.		P-UE86-3G4420-X0X61		REV F
CODE ID NO.	03554	DWG SIZE:	A4	SCALE: 2:1
				SHEET 5 OF 5