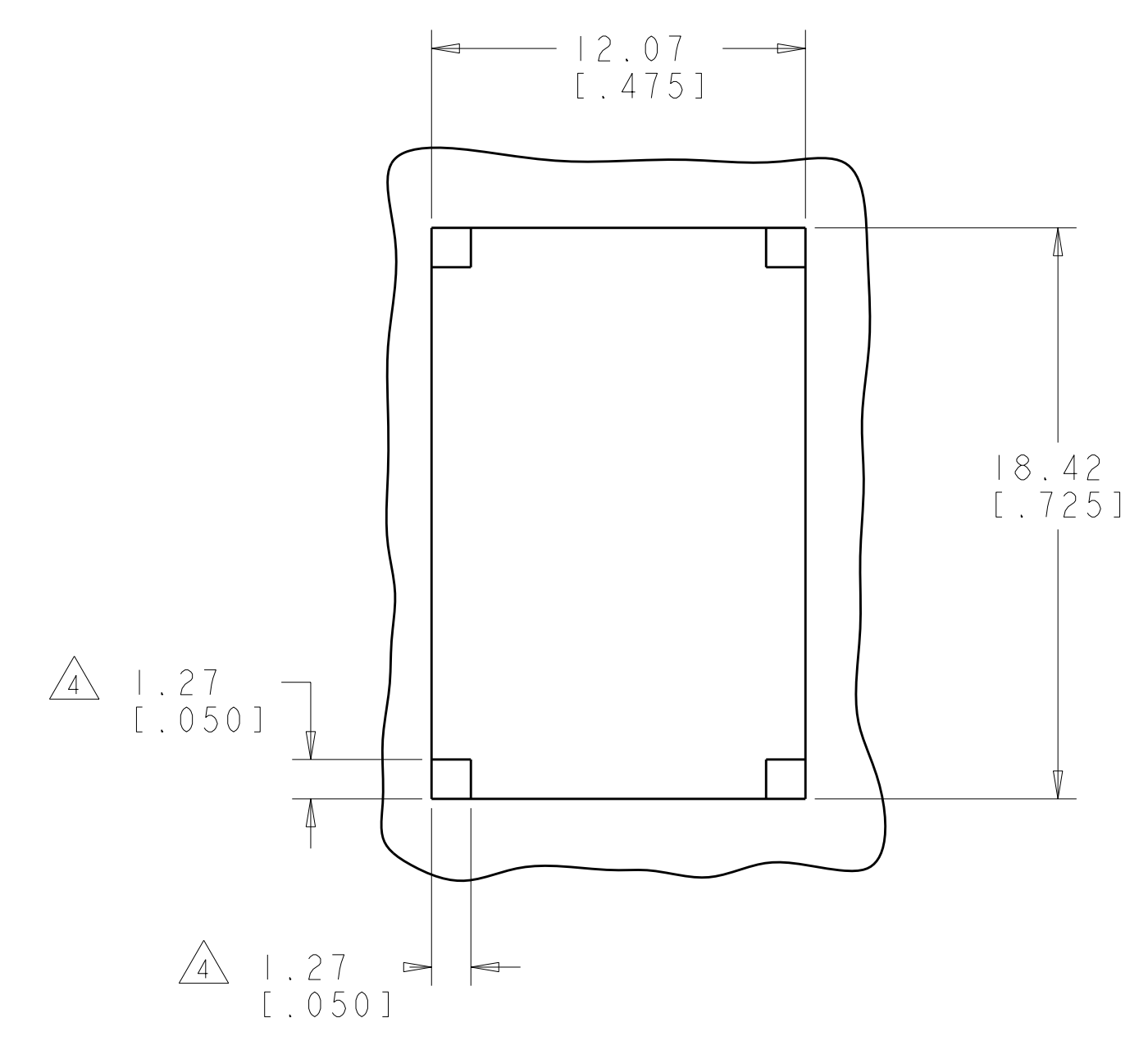
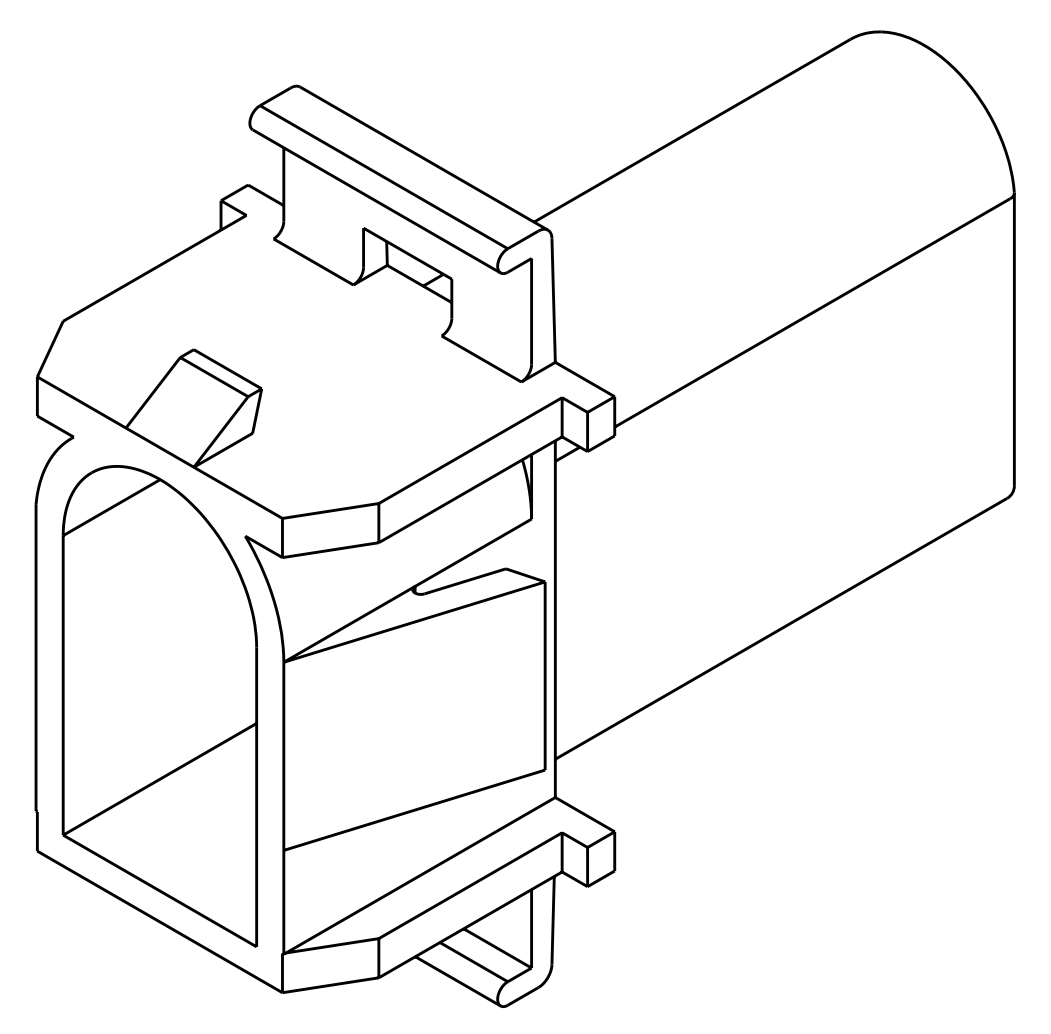
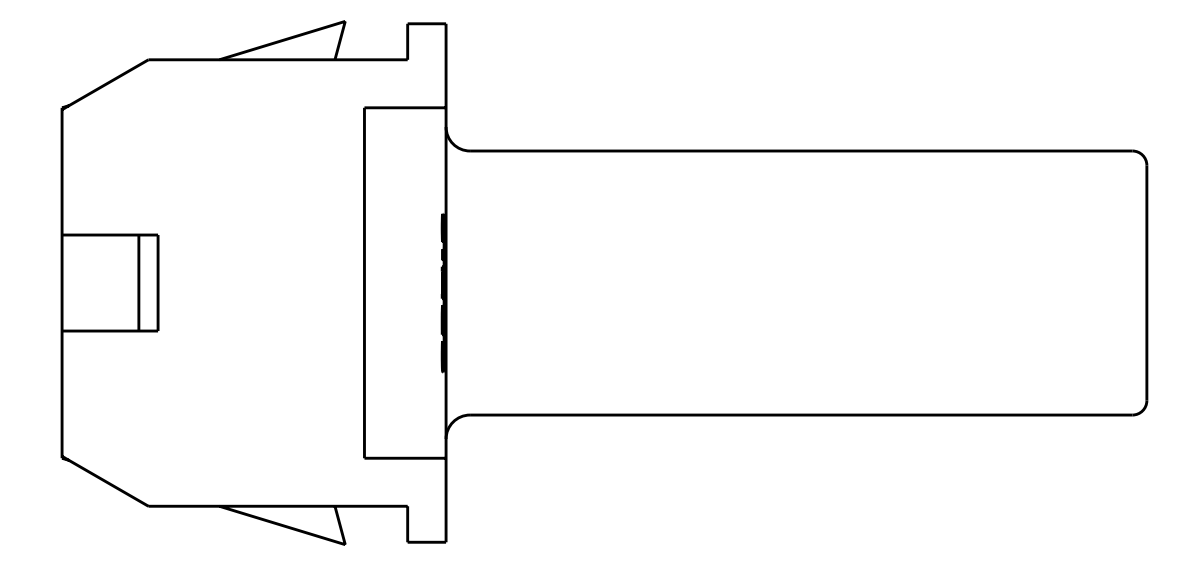
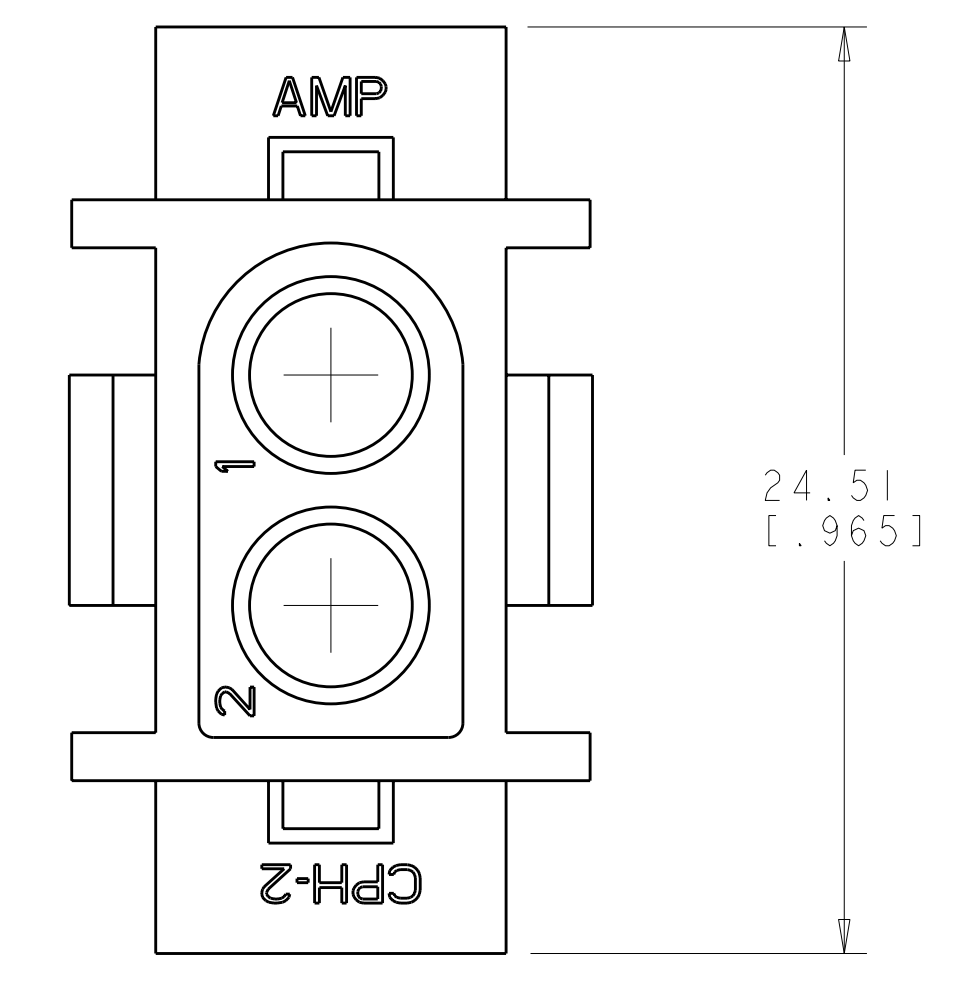
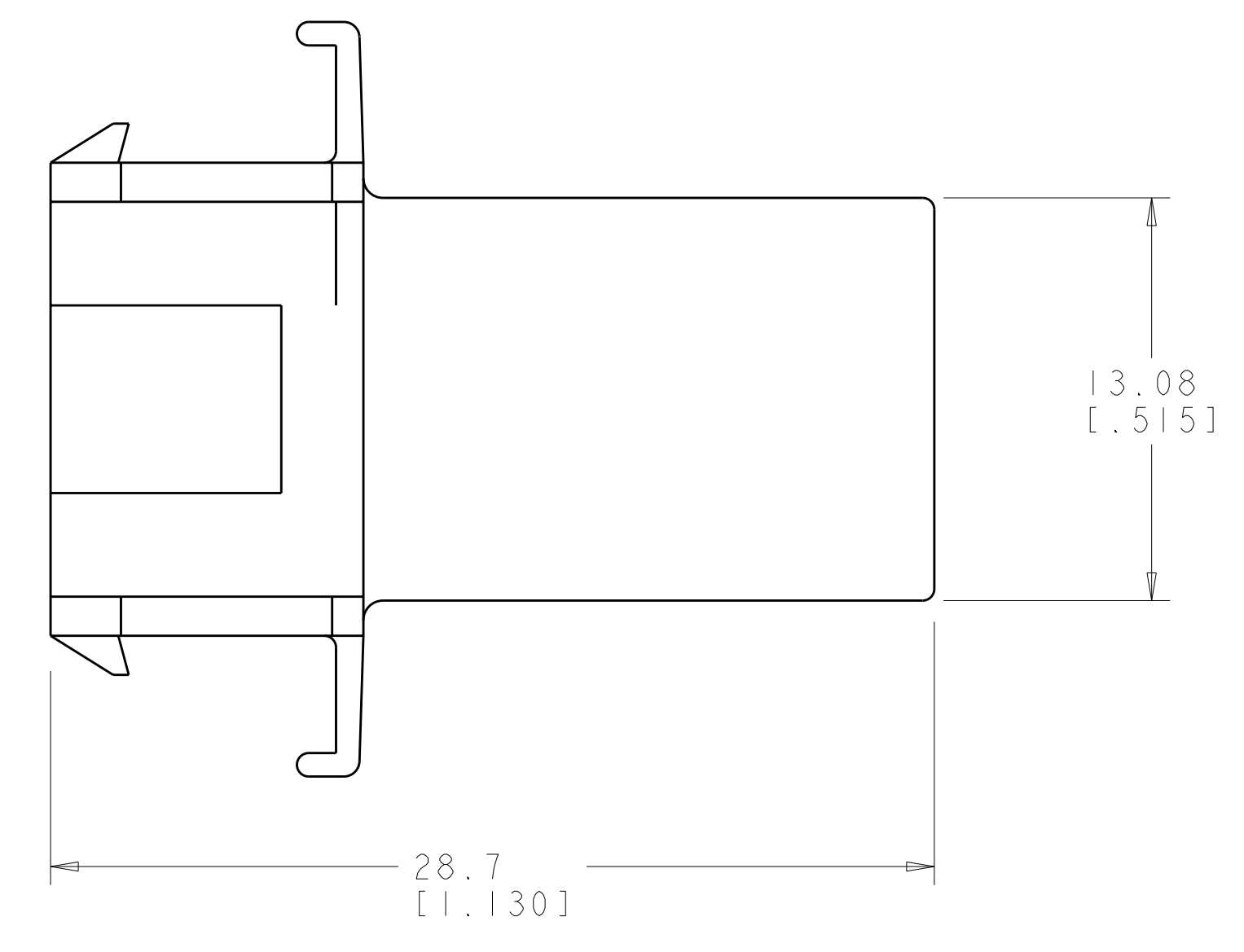
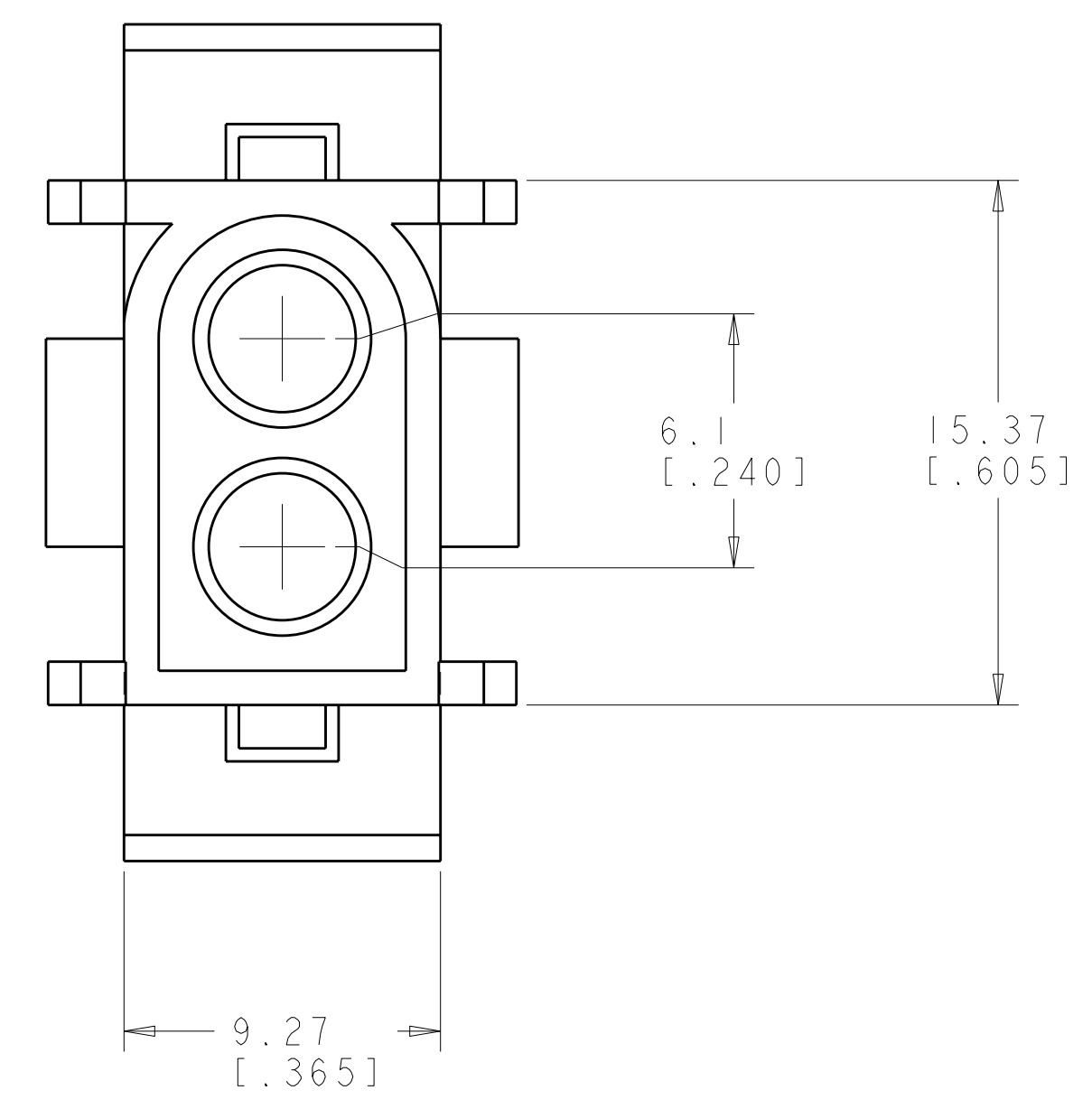


| LOC | DIST | REV | DATE | BY | CHK | APPV |
|-----|------|-----|-----------|----|-----|------|
| CM | 00 | E1 | 16MAR2011 | RK | HMR | |

- NOTE DELETED.
 - ACCEPTS .140 SERIES PINS.
 - MATES WITH PLUG 350344.
- △ 1.27 x 1.27 [.050 x .050] TABS IN CORNERS OF CUT-OUT ARE OPTIONAL TO REDUCE FLOAT IN PANEL.



RECOMMENDED PANEL CUT-OUT,
PANEL THICKNESS 0.76-1.65 [.030-.065]

| | | |
|-----------------------|---------|-------------|
| 0.098 IN ³ | GRAY | I-350345-8 |
| 0.098 IN ³ | NATURAL | I-350345-0 |
| VOLUME | COLOR | PART NUMBER |



| | | | | |
|--|----------|----------------------------|---|--|
| THIS DRAWING IS A CONTROLLED DOCUMENT. | | DWN: R. WHITAKER 18APR2007 | NAME: CAP. 2 CIRCUIT, .140 MATE-N-LOK(TM) | |
| DIMENSIONS: mm [INCHES] | | CHK: C. CASH 18APR2007 | SIZE: A100779 C=350345 | |
| TOLERANCES UNLESS OTHERWISE SPECIFIED: | | APPV: C. CASH 18APR2007 | RESTRICTED TO: | |
| 0 PLC ± | 1 PLC ± | PRODUCT SPEC | SCALE: 5:1 SHEET 1 OF 1 REV: E1 | |
| 2 PLC ±0.13 (1.005) | 3 PLC ± | APPLICATION SPEC | | |
| 4 PLC ± | ANGLES ± | WEIGHT | | |
| FINISH: #0°30' | | CUSTOMER DRAWING | | |
| MATERIAL: NYLON | | | | |